



BUSINESS BROCHURE

CREATION, INNOVATION AND REFINEMENT





THE SERVICE IS
CONSTANTLY INNOVATING

UNLIMITED SERVICE INNOVATION
OPEN UP THE FUTURE THROUGH COOPERATION

THE COOPERATION IS
EARNING FUTURE

TABLE OF CONTENTS

1 ENTERPRISE CHAPTER

Enterprise chapter

- COMPANY INTRODUCTION -----01-02
- COMPANY HISTORY-----03-04
- COMPANY MANAGEMENT SYSTEM---05-06
- GLOBAL MARKETING NETWORK-----07-08
- PRODUCTION CAPACITY----- 09-10

2 PRUDUCTION SECTION

Production chapter

- INJECTIONMOLDINGCENTER-----11-12
- DOME TYPE FIBER OPTIC SPLICE CLOSURE---
-----13-35
- FIBER OPTIC SPLICE TRAY-----36
- IN-LINE TYPE FIBER OPTIC SPLICE
CLOSURE-----37-42
- METAL PLATE CENTER-----43-44
- METAL PRODUCT-----45-52
- HEAT SHRINKABLE PRODUCT CENTER-53-54
- HEAT SHRINKABLE JOINT CLOSURE----55-57
- HEAT SHRINKABLE TUBE-----58
- MOLDING CENTER -----59-60
- EXPERIMENTAL CENTER -----61-62
- COOPERATION WITH US----- 63-64

ENTERPRISE

- INTRODUCTION
- COMPANY HISTORY
- GLOBAL MARKETING NETWORK
- PRODUCTION CAPACITY

THE INTRODUCTION OF OUR GROUP

enterprise introduction

Chengdu Qianhong Communication Co., Ltd. is located in Xindu District, Chengdu City, is founded in 1995. Under the strong support of the local government, after nearly 30 years of continuous development, Chengdu Qianhong Communication Co., Ltd. stands out from the industry and has become the development model of contemporary China's communication equipment manufacturing industry and won the national high-tech innovation enterprise.

The company adopts the world's most advanced production equipment, specializing in the production and sales of all kinds of communication network engineering cabinets and optical fiber broadband series products, 3G,4G,5G base station supporting products, uphold the "innovation, creation, refinement" philosophy, product sales have been throughout many regions at home and abroad, into: The United States, Colombia, Brazil, Mexico, Jordan, Pakistan, Saudi Arabia, Italy, Turkey, the United Arab Emirates, Thailand and other more than 100 countries in the world, has established a good cooperative relationship, and achieved excellent results.

The company covers an area of 30,000 square meters, the existing staff of more than 400 people, all kinds of professional technical and management personnel more than 200 people, registered capital of 102 million yuan, the chairman Mr. Zhao Gang with its "detailed foresight and innovation ability" and "quality campaign" thought leading Chengdu Qianhong in the communications manufacturing industry with good reputation and quality service in the industry has a good reputation.

The company has advanced management system, each series of products have passed the ISO9001,TLS,SGS,SA8000 certification, SA8000 social responsibility standard certification, the use of international Meteor ERP (manufacturing resource planning system), 7S management system, to ensure that the cost of each product is reasonable, Stable quality and reliable performance.

In line with the service tenet of "serving customers wholeheartedly, ensuring customer satisfaction", we provide users with fast, convenient, efficient and professional technical support and after-sales service, which maximally removes the worries of operators.

In order to further enhance the company's corporate image, shape the industry brand, improve brand influence and competitiveness, the company designed a new trademark

Qianhong used the trademark before:



and



Trade mark in use:



COMPANY HISTORY

After more than 28 years of market development and expansion, the sales area of Chengdu Qianhong has expanded from many domestic provinces to more than 100 overseas countries in 2023. It is this honor, let Qianhong not forget the original intention, remember the mission, and strive to become a high-end supplier and leader of global communications construction equipment.

2020

In 2020, obtained the national secret qualification "weapon equipment research and production unit third-level secret qualification certificate" national military standard quality management system certification



2014

More than 50 countries were using QIANHONG products in 2014

2015

In 2015, the company was recognized by China Telecom Group as the largest optical product manufacturer and FTTX solution provider in Western China.

2018

In 2018, it was awarded the Enterprise Technology Center of Sichuan Province and the Integrity Demonstration Enterprise of Sichuan Province.

2017

In 2017, it was awarded 100 patents for inventions, utility models and appearance products.

2019

In 2019, the terminal product was officially put into the market; The automation of the production system has been completed, and the upgrading has been completed.

2012

In 2012, 40 acre of modern standard plant was completed, located in Chengdu Xindu District Industrial Park. More than 30 million yuan was invested to purchase production equipment and testing instruments, and 10 plastic mold manufacturing workshops and production lines were added.

2010

In 2010, it won the third Prize of "Excellent Supplier" Innovation Practice activity of Sichuan Telecom, and the advanced unit of tax-paying scale enterprise and other honors

2007

In 2007, the cable joint box and heat shrinkable joint closure and other products have passed the product test and certification in Bulgaria, Malaysia, India, Italy, Brazil and other countries, and the bulk supply. In the same year, the company obtained the ISO9001 quality management system certification.



2006

In 2006, the company won the "Excellent Supplier Award" of Sichuan Telecom, and was honored as a trustworthy company in product quality.

2005

In 2005, the company invested in a new 20-acre standardized plant, from a single production of heat-shrinkable products to independent design and production of optical distribution products, and the company successfully held the 10th anniversary celebration.

1995

In 1995, the company was established, setting up functional departments of production, sales and service. Produced a series of products of heat shrinkable joint closure for communication cables, and achieved good sales performance in that year.



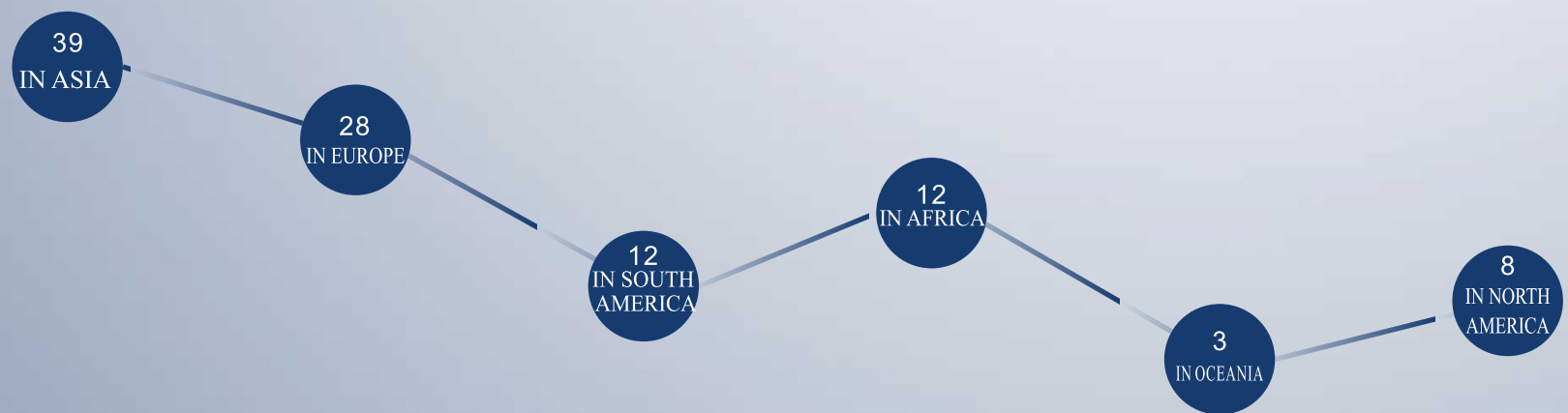
COMPANY MANAGEMENT SYSTEM





GLOBAL MARKETING NETWORK

≥ 100 countries



side by side, for dream

PRODUCTION CHAPTER

- PRODUCTION CAPACITY
- INJECTION MOLDING CENTER
- METAL PLATE CENTER
- HEAT SHRINKABLE PRODUCT CENTER
- MOLD CENTER
- EXPERIMENTAL CENTER

PRODUCTION CAPACITY

- Since the company was established, it has always built and renovated its production hardware facilities according to high starting point and high standard. The company covers an area of 30,000m² and has 300+ employees, of whom 14 are professional engineers with an average working experience of over 12 years.
- 24 metal cutting and punching machines, including a German TRUMPF Tru-laser3030 and a TRUMPF Tru-punch 5000
- 12 metal bending machines including one Italian SALVAGNINI(S2+P2)
- Electroplating/powder spraying center
- Mold design and production center
- 46 injection molding machines
- Productivity: plastic injection molding, sheet metal processing, equipment manufacturing, construction engineering, finishing and military

02 PRODUCTION SECTION

INJECTION MOLDING CENTER

- 16~17 million pieces ANNUAL OUTPUT
- 60000+ pieces DAILY OUTPUT
- 0.5~0.8 mm THE MINIMUM THICKNESS OF THE PRODUCT CAN BE FORMED
- ≤ 0.08 mm INJECTION MOLDING TOLERANCE
- 0.01g~10000g RANGE OF CAPABILITIES TO GENERATE PRODUCTS

HAITIAN 1000T INJECTION MOLDING MACHINE



HAIXIONG 688T INJECTION MOLDING MACHINE



HIGH PRECISION INJECTION MOLDING MACHINE



ROBOTIC ARM



CNC PLASTIC INJECTION MOLDING MACHINE



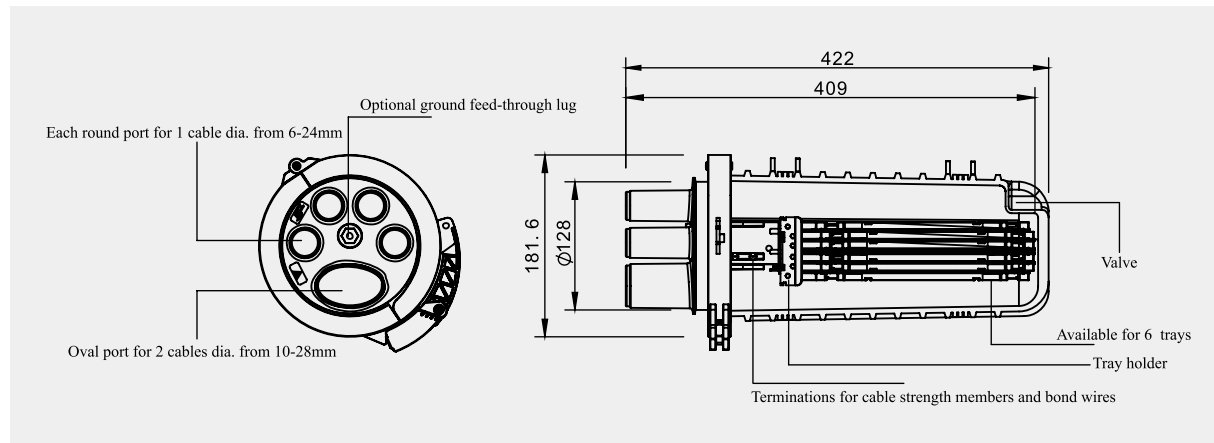
AUTOMATIC INJECTION MOLDING LINE



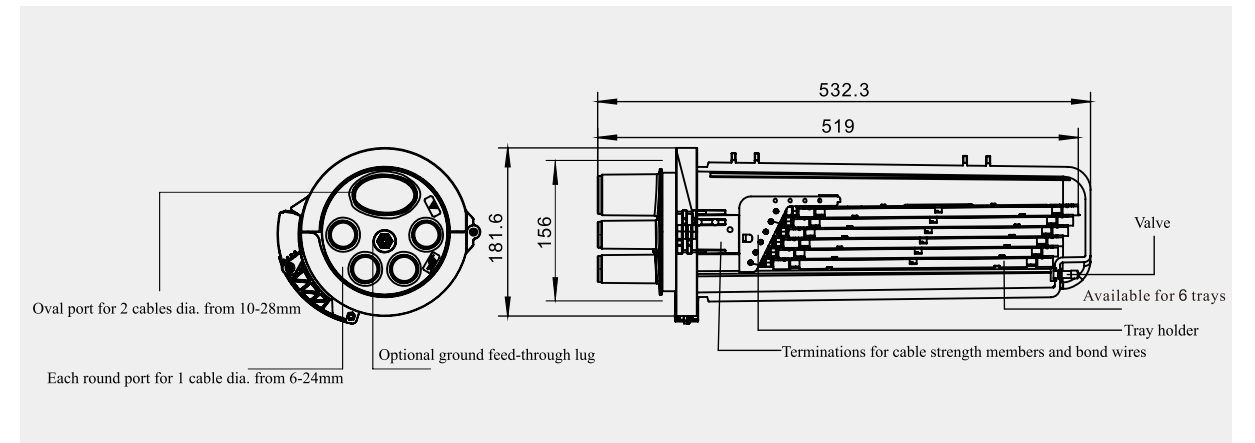
SEMI-AUTOMATIC INJECTION MOLDING LINE



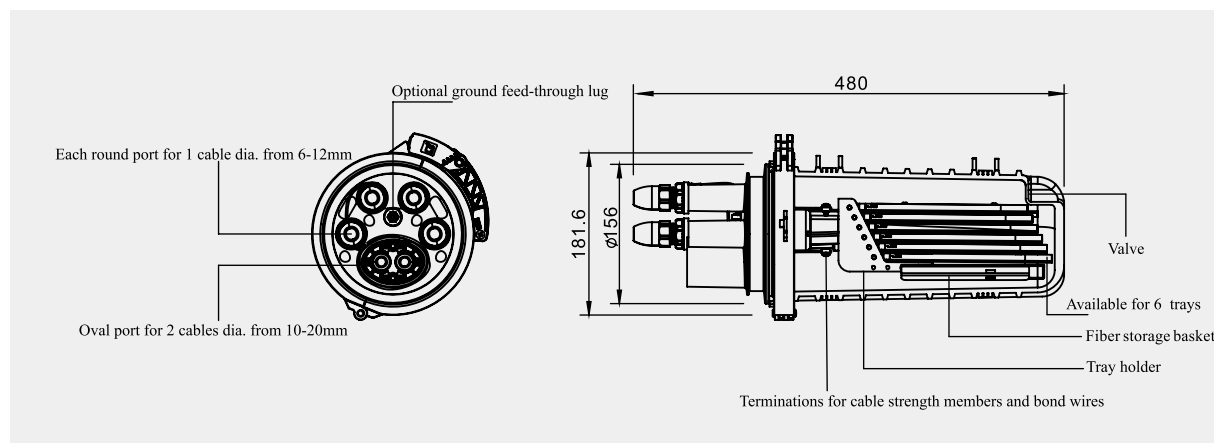
Model
GJS03-M1AX-144C(GP200)



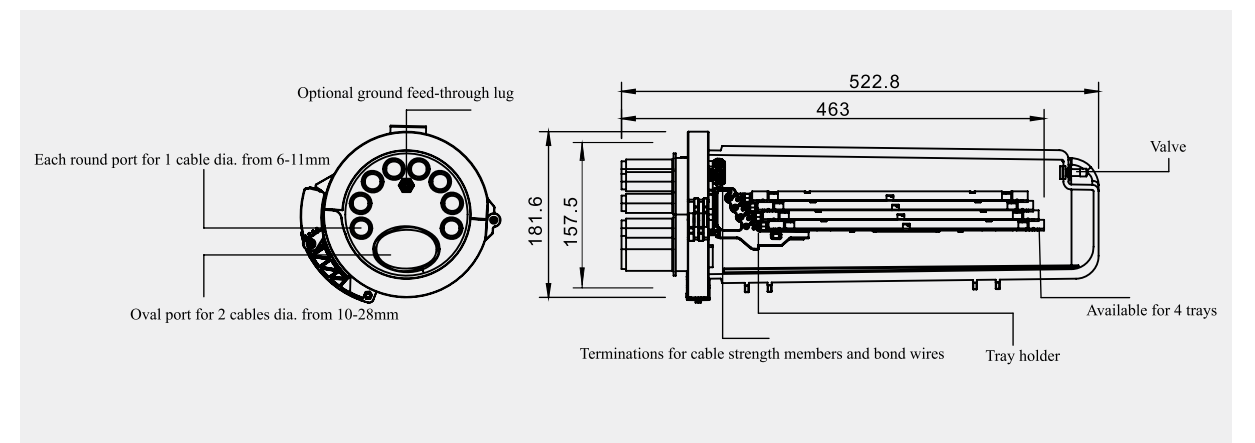
Model
GJS03-M2AX-24~144C-SRZJ14(GP262)



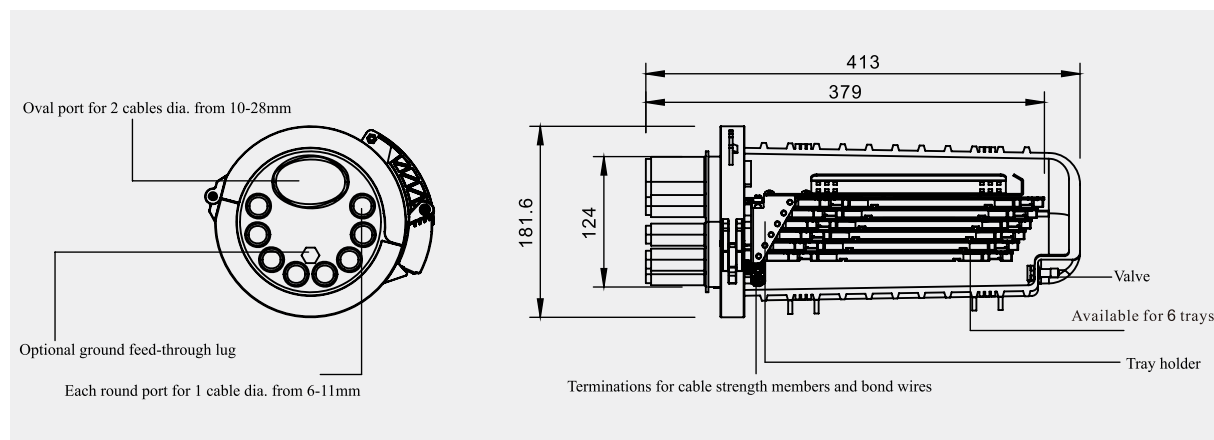
Model
GJS03-M1AX-JX-144C(GP335)



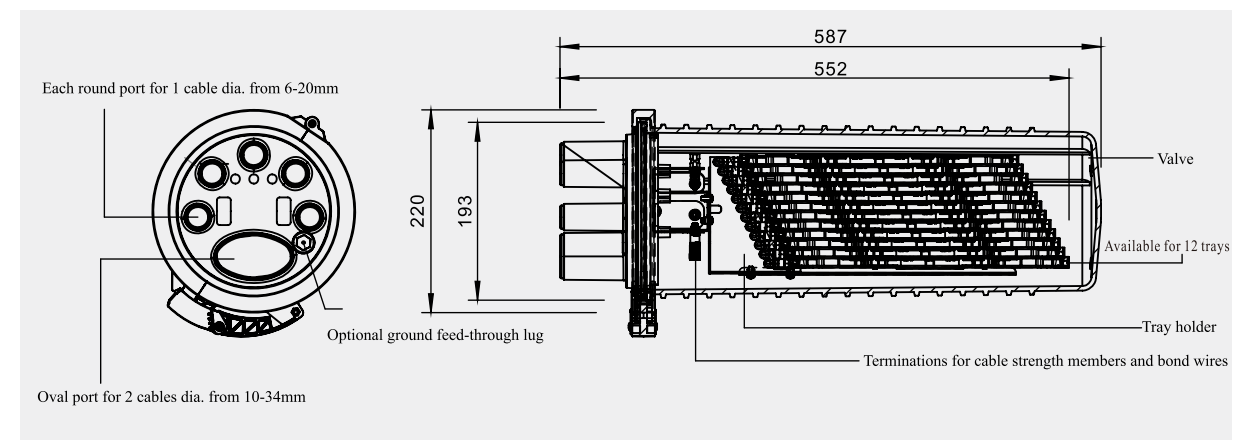
Model
GJS03-M2AX-A8-24~96C(GP206)



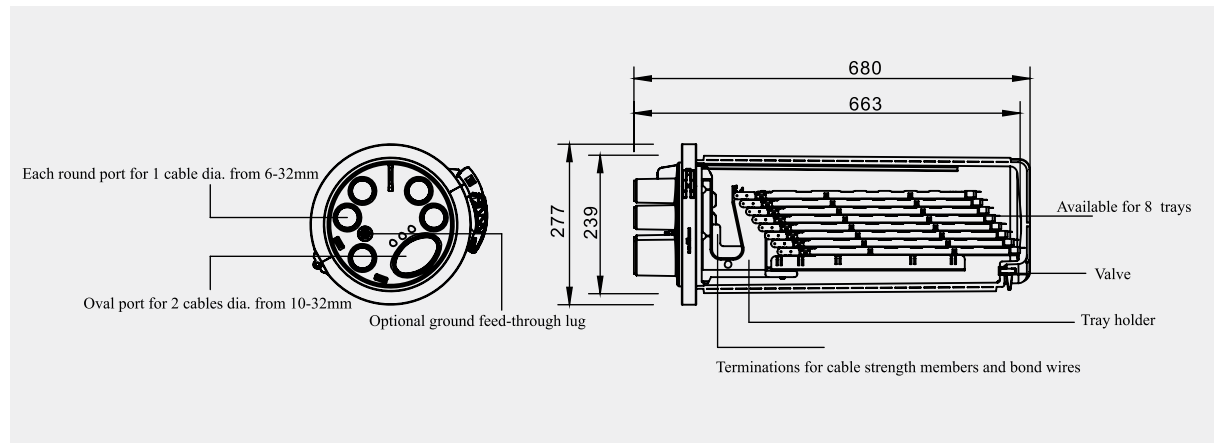
Model
GJS03-M1AX-A8-144C-W30(GP1416)



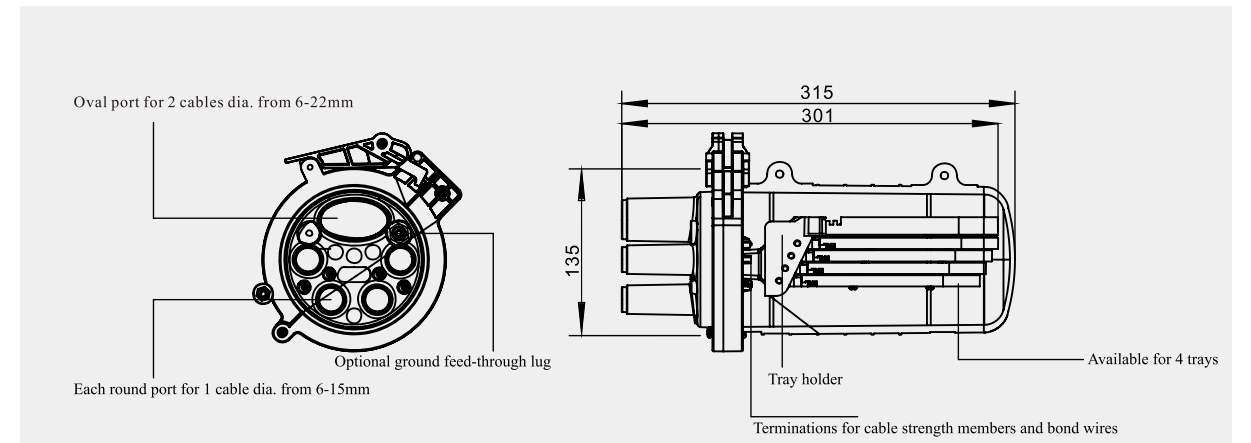
Model
GJS03-M3AX-24~288C-TZJ07-III-N15 (GP286)



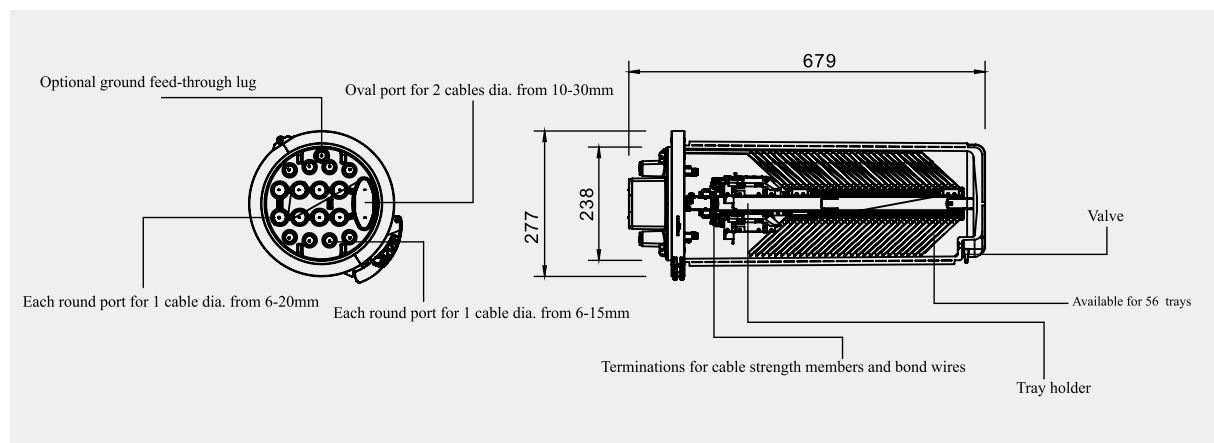
Model
GJS03-M4AX-576C-N04B (GP306)



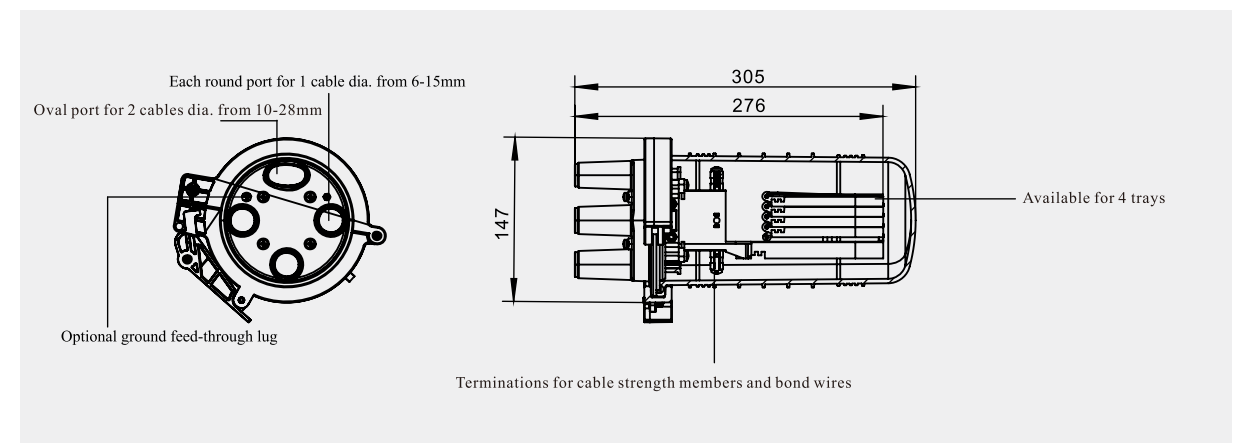
Model
GJS03-M6AX-96C-I(GP339)



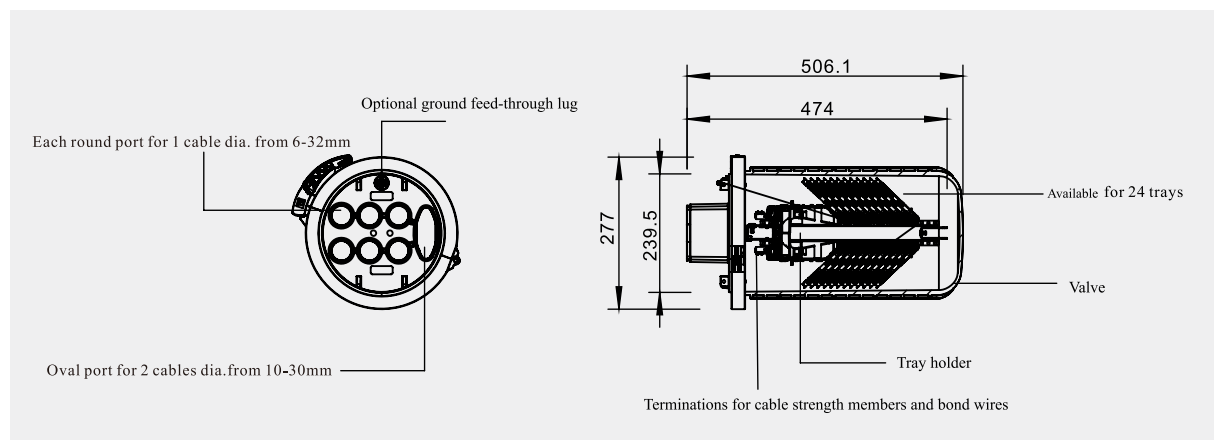
Model
GJS03-M4AX-AL-12-672C(GP321)



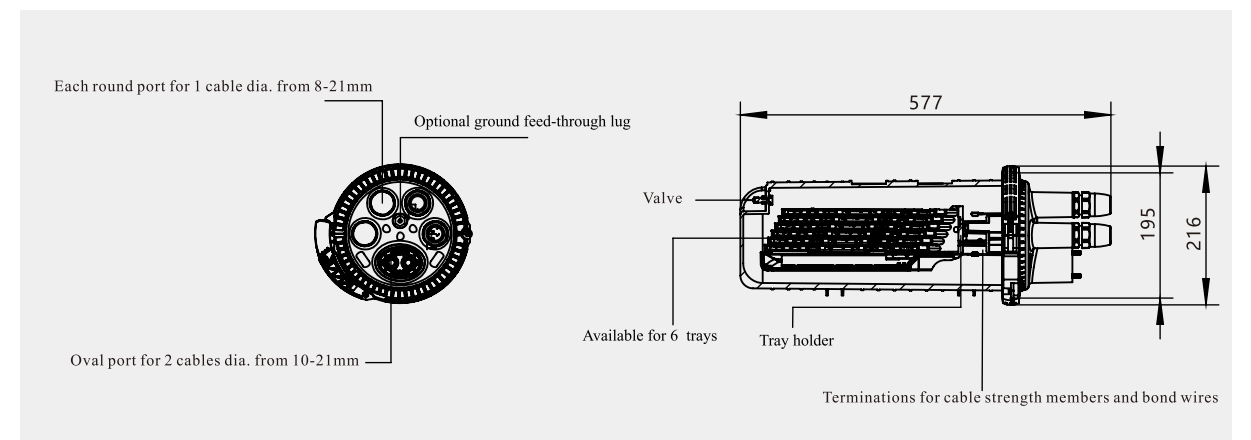
Model
GJS03-M6AX-48C(GP223)



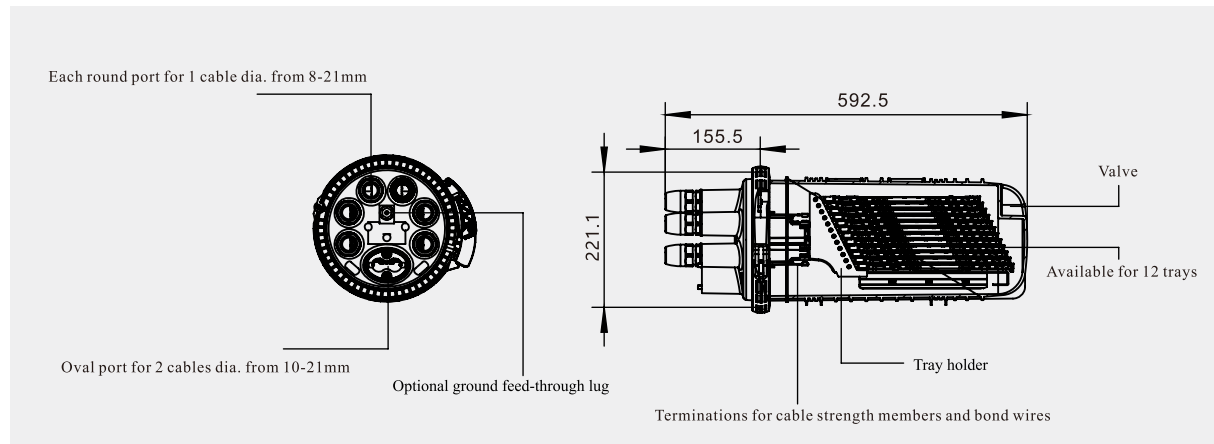
Model
GJS03-M5AX-RS-AL-288C(GP304)



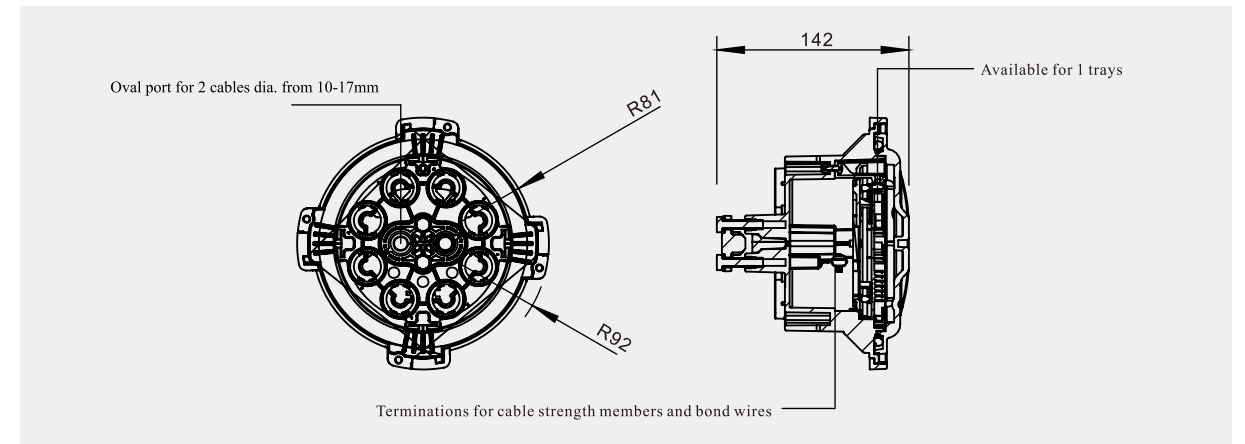
Model
GJS03-M8AX-JX-24~144(GP322)



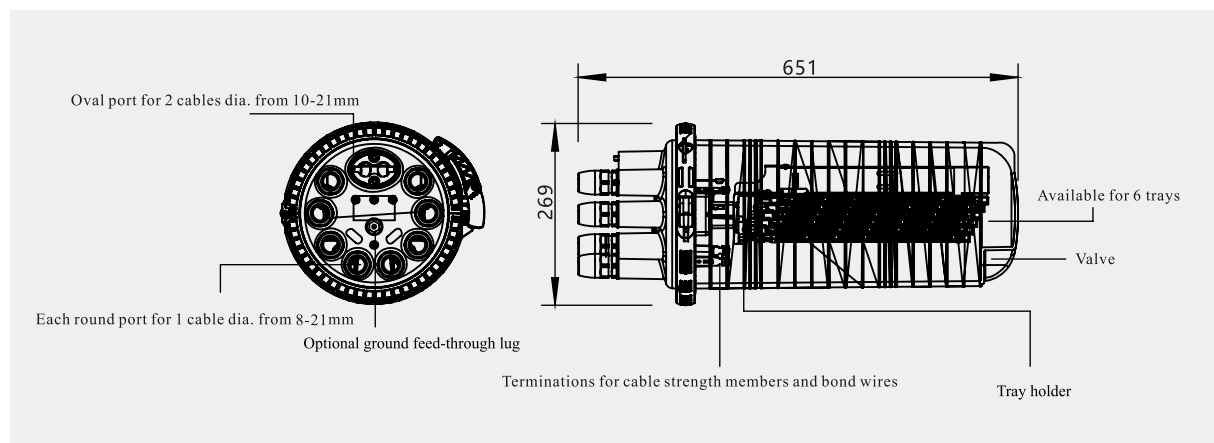
Model
GJS03-M9AX-JX-288C-SRZJ21-W12(GP1425)



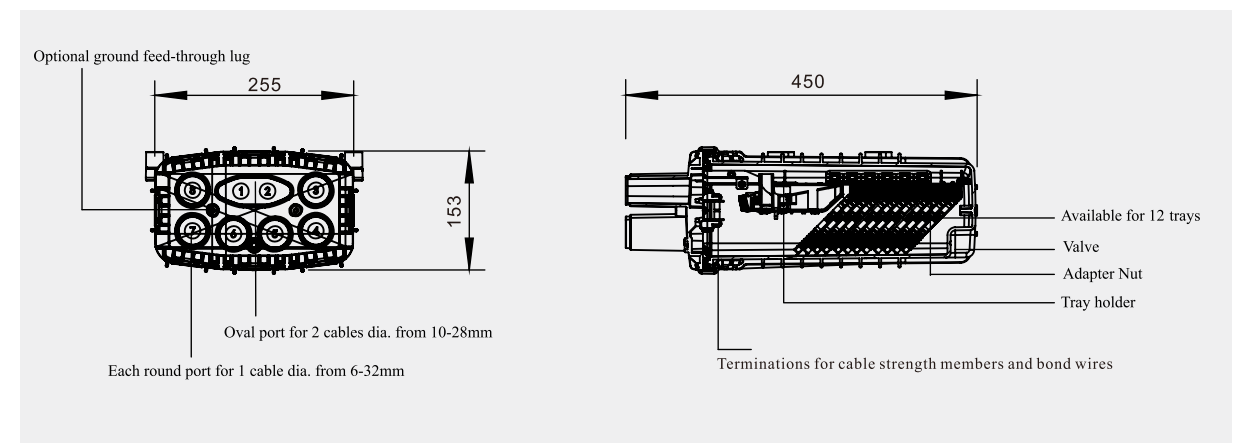
Model
GJS03-M12AX-1 8-12C (GP353)



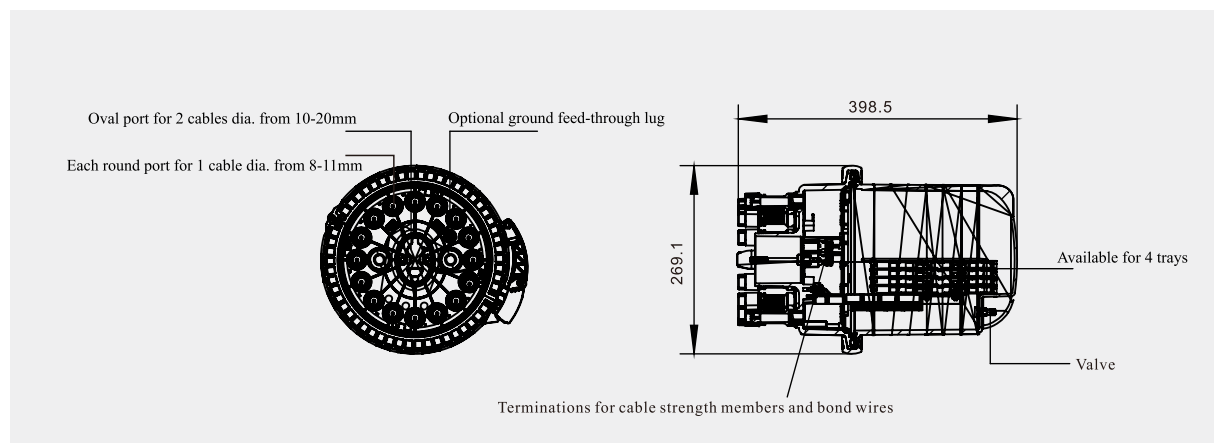
Model
GJS03-M10AX-JX-432C(GP318)



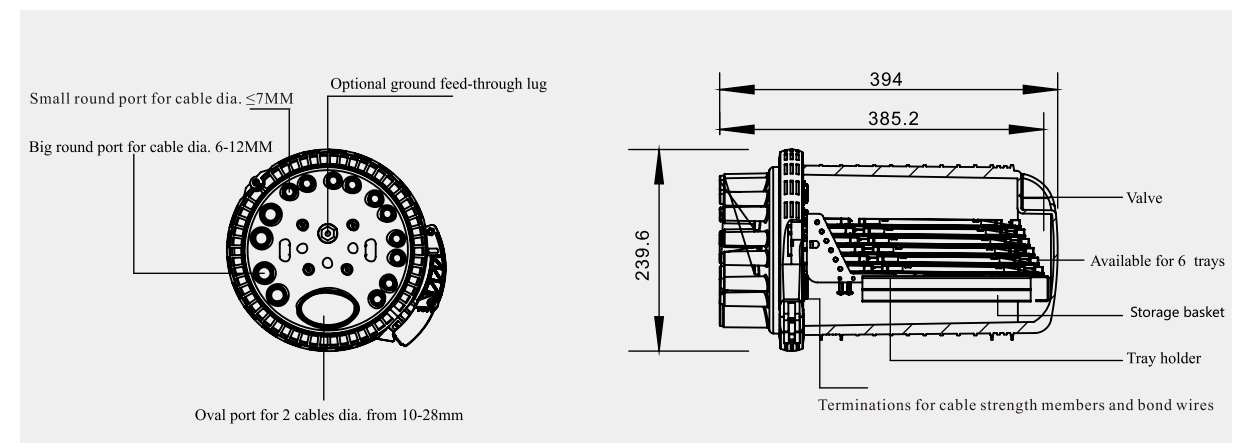
Model
GJS03-M14AX-RS-144C(GP374)



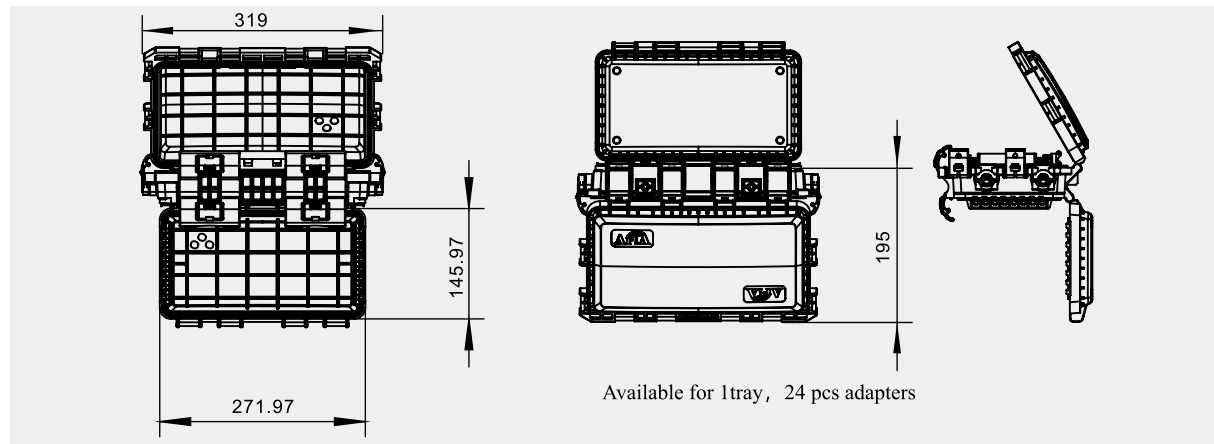
Model
GJS03-M11AX-4/16-24~96C(GP341)



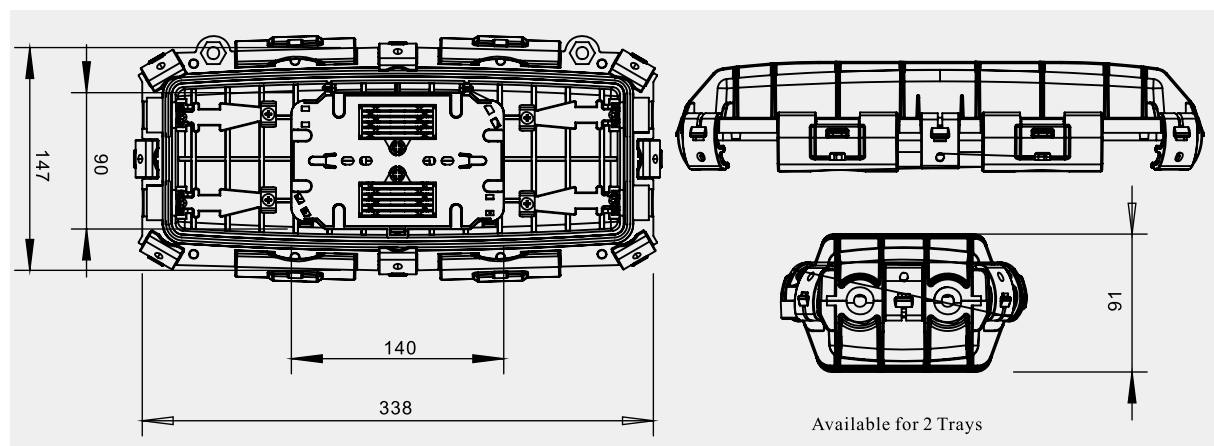
Model
GJS03-M15AX-A14-144C (GP394)



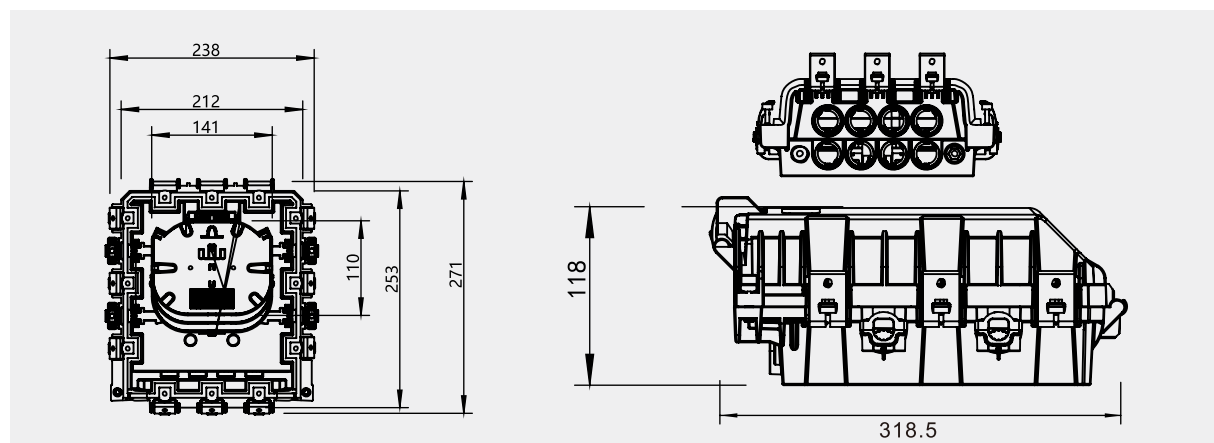
Model
GP01-H23JF4(16-24)



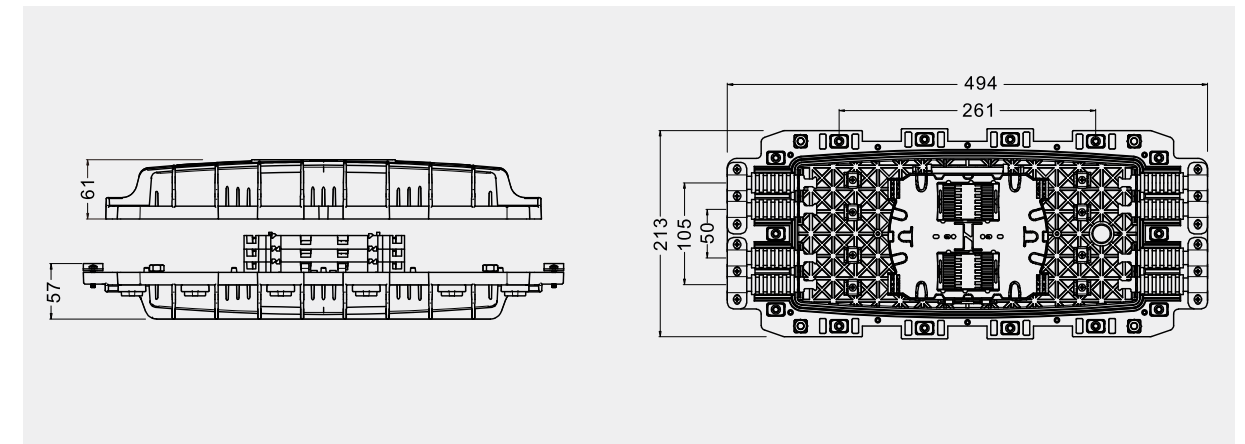
Model
GP01-H25JF4-24~48



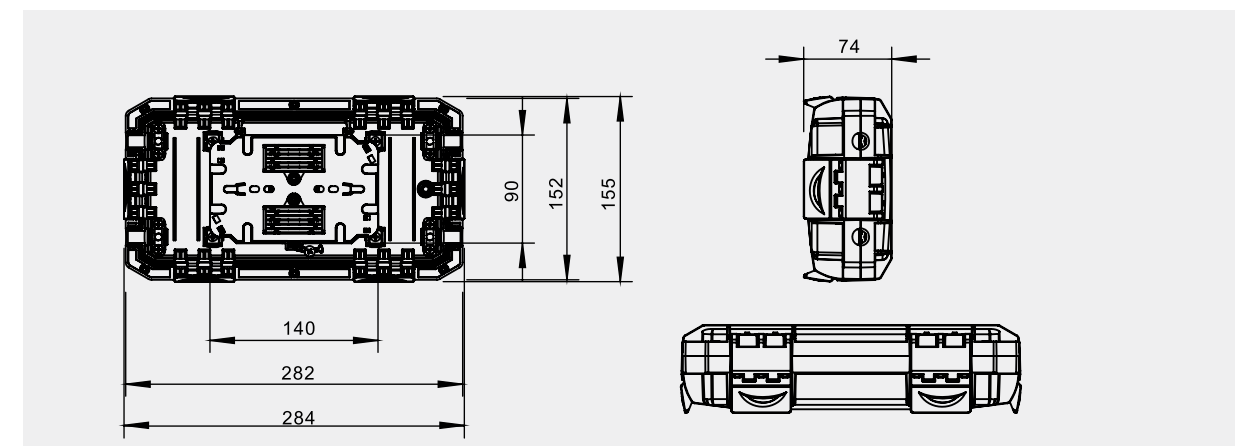
Model
GP01-H31JF4(8)-36C



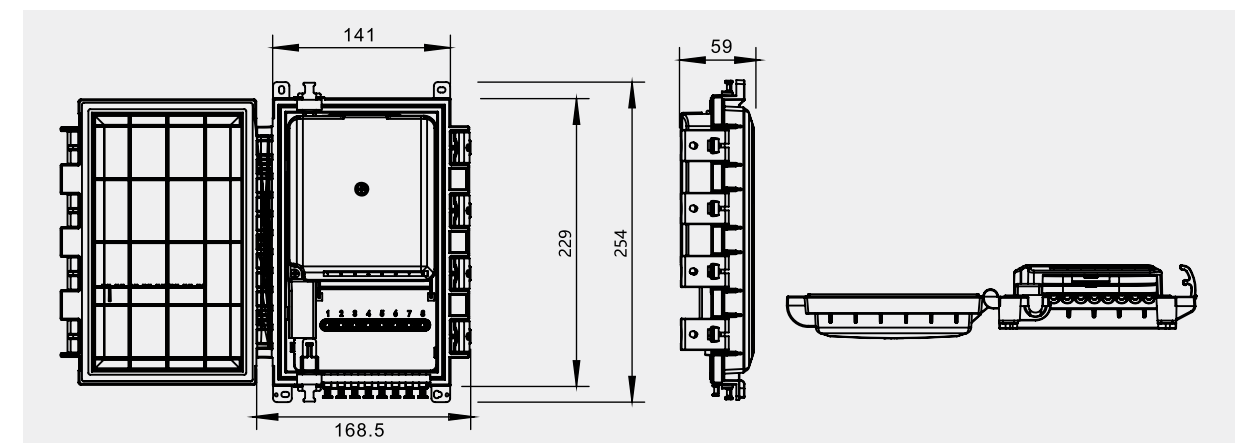
Model
GP01-H40JM8-24~72



Model
GP01-H54JF4-24~48



Model
GP01-H60JF2(8)-32C



GJS03-M1AX-144C(GP200)

PICTURE



PARAMETER TABLE

| | |
|----------------------------------|--|
| Model (factory code) | GP 200 |
| Size | 422*Φ181.6mm |
| Port inner Dia. | Oval port: 62mmX37mm Round port: 24.5mm |
| Number of Entry ports | 1+4 |
| Max.Capacity of Splice Tray | 24 |
| Max. Capacity | 144 |
| Loose buffer tube storage basket | Without |
| Sealing Method | Heat-shrink sealing |
| Adapter | — |
| Application | Wall, Pole, Aerial, Pipeline, Direct-buried |

GJS03-M1AX-24-96C-N08 (GP227)

PICTURE



PARAMETER TABLE

| | |
|----------------------------------|--|
| Model (factory code) | GP 227 |
| Size | 422*Φ181.6mm |
| Port inner Dia. | Oval port: 62mmX37mm Round port: 24.5mm |
| Number of Entry ports | 1+4 |
| Max.Capacity of Splice Tray | 24 |
| Max. Capacity | 96 |
| Loose buffer tube storage basket | With |
| Sealing Method | Heat-shrink sealing |
| Adapter | — |
| Application | Wall, Pole, Aerial, Pipeline, Direct-buried |

GJS03-M1AX-SC-24 24~48C(GP294)

PICTURE



PARAMETER TABLE

| | |
|----------------------------------|--|
| Model (factory code) | GP 294 |
| Size | 422*Φ181.6mm |
| Port inner Dia. | Oval port: 62mmX37mm Round port: 24.5mm |
| Number of Entry ports | 1+4 |
| Max.Capacity of Splice Tray | 24 |
| Max. Capacity | 48 |
| Loose buffer tube storage basket | Without |
| Sealing Method | Heat-shrink sealing |
| Adapter | SC/24 |
| Application | Wall, Pole, Aerial, Pipeline, Direct-buried |

GJS03-M1AX-144C-SRZJ14(GP1444)

PICTURE



PARAMETER TABLE

| | |
|----------------------------------|--|
| Model (factory code) | GP 1444 |
| Size | 422*Φ181.6mm |
| Port inner Dia. | Oval port: 62mmX37mm Round port: 24.5mm |
| Number of Entry ports | 1+4 |
| Max.Capacity of Splice Tray | 24 |
| Max. Capacity | 144 |
| Loose buffer tube storage basket | Without |
| Sealing Method | Mechanical sealing |
| Adapter | — |
| Application | Wall, Pole, Aerial, Pipeline, Direct-buried |

GJS03-M1AX-JX-144C(GP335)

PICTURE



PARAMETER TABLE

| | |
|----------------------------------|--|
| Model (factory code) | GP 335 |
| Size | 480*Φ181.6mm |
| Port inner Dia. | Oval port: 2X20mm Round port: 24.5mm |
| Number of Entry ports | 1+4 |
| Max.Capacity of Splice Tray | 24 |
| Max. Capacity | 144 |
| Loose buffer tube storage basket | With |
| Sealing Method | Heat-shrink sealing |
| Adapter | — |
| Application | Wall, Pole, Aerial, Pipeline, Direct-buried |

GJS03-M1AX-A8-24~96C(GP204)

PICTURE



PARAMETER TABLE

| | |
|----------------------------------|--|
| Model (factory code) | GP 204 |
| Size | 413*Φ181.6mm |
| Port inner Dia. | Oval port: 61mmX37mm Round port: 12mm |
| Number of Entry ports | 1+8 |
| Max.Capacity of Splice Tray | 24 |
| Max. Capacity | 96 |
| Loose buffer tube storage basket | Without |
| Sealing Method | Heat-shrink sealing |
| Adapter | — |
| Application | Wall, Pole, Aerial, Pipeline, Direct-buried |

GJS03-M1AX-A8-24-96C-N08(GP218)

PICTURE



PARAMETER TABLE

| | |
|----------------------------------|--|
| Model (factory code) | GP 218 |
| Size | 413*Φ181.6mm |
| Port inner Dia. | Oval port: 61mmx37mm Round port: 12mm |
| Number of Entry ports | 1+8 |
| Max.Capacity of Splice Tray | 24 |
| Max. Capacity | 96 |
| Loose buffer tube storage basket | With |
| Sealing Method | Heat-shrink sealing |
| Adapter | --- |
| Application | Wall, Pole, Aerial, Pipeline, Direct-buried |

GJS03-M1AX-A8-144C-W30(GP1416)

PICTURE



PARAMETER TABLE

| | |
|----------------------------------|--|
| Model (factory code) | GP 1416 |
| Size | 413*Φ181.6mm |
| Port inner Dia. | Oval port: 61mmx37mm Round port: 12mm |
| Number of Entry ports | 1+8 |
| Max.Capacity of Splice Tray | 24 |
| Max. Capacity | 144 |
| Loose buffer tube storage basket | With |
| Sealing Method | Heat-shrink sealing |
| Adapter | --- |
| Application | Wall, Pole, Aerial, Pipeline, Direct-buried |

GJS03-M1AX-A8, SC-24 24-72C-D(GP297)

PICTURE



PARAMETER TABLE

| | |
|----------------------------------|--|
| Model (factory code) | GP 297 |
| Size | 413*Φ181.6mm |
| Port inner Dia. | Oval port: 61mmx37mm Round port: 12mm |
| Number of Entry ports | 1+8 |
| Max.Capacity of Splice Tray | 24 |
| Max. Capacity | 72 |
| Loose buffer tube storage basket | With |
| Sealing Method | Heat-shrink sealing |
| Adapter | SC/24 |
| Application | Wall, Pole, Aerial, Pipeline, Direct-buried |

GJS03-M2AX-24~144C-SRZJ14(GP262)

PICTURE



PARAMETER TABLE

| | |
|----------------------------------|--|
| Model (factory code) | GP 262 |
| Size | 532.3*Φ181.6mm |
| Port inner Dia. | Oval port: 78mmx34mm Round port: 19mm |
| Number of Entry ports | 1+4 |
| Max.Capacity of Splice Tray | 24 |
| Max. Capacity | 144 |
| Loose buffer tube storage basket | Without |
| Sealing Method | Heat-shrink sealing |
| Adapter | --- |
| Application | Wall, Pole, Aerial, Pipeline, Direct-buried |

GJS03-M2AX-24~144C-SRZJ14-W22(GP1404)

PICTURE



PARAMETER TABLE

| | |
|----------------------------------|--|
| Model (factory code) | GP 1404 |
| Size | 532.3*Φ181.6mm |
| Port inner Dia. | Oval port: 78mmx34mm Round port: 19mm |
| Number of Entry ports | 1+4 |
| Max.Capacity of Splice Tray | 24 |
| Max. Capacity | 144 |
| Loose buffer tube storage basket | With |
| Sealing Method | Heat-shrink sealing |
| Adapter | --- |
| Application | Wall, Pole, Aerial, Pipeline, Direct-buried |

GJS03-M2AX-A8-24~96C(GP206)

PICTURE



PARAMETER TABLE

| | |
|----------------------------------|--|
| Model (factory code) | GP 206 |
| Size | 522.8*Φ181.6mm |
| Port inner Dia. | Oval port: 61mmx37mm Round port: 12mm |
| Number of Entry ports | 1+8 |
| Max.Capacity of Splice Tray | 24 |
| Max. Capacity | 96 |
| Loose buffer tube storage basket | Without |
| Sealing Method | Heat-shrink sealing |
| Adapter | --- |
| Application | Wall, Pole, Aerial, Pipeline, Direct-buried |

GJS03-M2AX-A8-24~96C-N08(GP241)

PICTURE



PARAMETER TABLE

| | |
|----------------------------------|--|
| Model (factory code) | GP 241 |
| Size | 522.8*φ181.6mm |
| Port inner Dia. | Oval port: 61mmx37mm Round port: 12mm |
| Number of Entry ports | 1+8 |
| Max.Capacity of Splice Tray | 24 |
| Max. Capacity | 96 |
| Loose buffer tube storage basket | With |
| Sealing Method | Heat-shrink sealing |
| Adapter | --- |
| Application | Wall, Pole, Aerial, Pipeline, Direct-buried |

GJS03-M2AX-A8-144C (GP1418)

PICTURE



PARAMETER TABLE

| | |
|----------------------------------|--|
| Model (factory code) | GP 1418 |
| Size | 522.8*φ181.6mm |
| Port inner Dia. | Oval port: 61mmx37mm Round port: 12mm |
| Number of Entry ports | 1+8 |
| Max.Capacity of Splice Tray | 24 |
| Max. Capacity | 144 |
| Loose buffer tube storage basket | Without |
| Sealing Method | Heat-shrink sealing |
| Adapter | --- |
| Application | Wall, Pole, Aerial, Pipeline, Direct-buried |

GJS03-M2AX-A8-24~96C-W21(GP1402)

PICTURE



PARAMETER TABLE

| | |
|----------------------------------|--|
| Model (factory code) | GP 1402 |
| Size | 522.8*φ181.6mm |
| Port inner Dia. | Oval port: 61mmx37mm Round port: 12mm |
| Number of Entry ports | 1+8 |
| Max.Capacity of Splice Tray | 24 |
| Max. Capacity | 96 |
| Loose buffer tube storage basket | With |
| Sealing Method | Heat-shrink sealing |
| Adapter | --- |
| Application | Wall, Pole, Aerial, Pipeline, Direct-buried |

GJS03-M2AX-A8, SC-24 24~72C-D (GP253)

PICTURE



PARAMETER TABLE

| | |
|----------------------------------|--|
| Model (factory code) | GP 253 |
| Size | 522.8*φ181.6mm |
| Port inner Dia. | Oval port: 61mmx37mm Round port: 12mm |
| Number of Entry ports | 1+8 |
| Max.Capacity of Splice Tray | 24 |
| Max. Capacity | 72 |
| Loose buffer tube storage basket | With |
| Sealing Method | Heat-shrink sealing |
| Adapter | SC/24 |
| Application | Wall, Pole, Aerial, Pipeline, Direct-buried |

GJS03-M3AX-216C-W01 (GP211)

PICTURE



PARAMETER TABLE

| | |
|----------------------------------|--|
| Model (factory code) | GP 211 |
| Size | 587*φ220mm |
| Port inner Dia. | Oval port: 77mmx42mm Round port: 21mm |
| Number of Entry ports | 1+5 |
| Max.Capacity of Splice Tray | 24 |
| Max. Capacity | 216 |
| Loose buffer tube storage basket | With |
| Sealing Method | Heat-shrink sealing |
| Adapter | --- |
| Application | Wall, Pole, Aerial, Pipeline, Direct-buried |

GJS03-M3AX-24~288C-TZJ07-III-N15 (GP286)

PICTURE



PARAMETER TABLE

| | |
|----------------------------------|--|
| Model (factory code) | GP 286 |
| Size | 587*φ220mm |
| Port inner Dia. | Oval port: 77mmx42mm Round port: 21mm |
| Number of Entry ports | 1+5 |
| Max.Capacity of Splice Tray | 24 |
| Max. Capacity | 288 |
| Loose buffer tube storage basket | With |
| Sealing Method | Heat-shrink sealing |
| Adapter | --- |
| Application | Wall, Pole, Aerial, Pipeline, Direct-buried |

GJS03-M4AX-576C-N04B (GP306)

PICTURE



PARAMETER TABLE

| | |
|----------------------------------|--|
| Model (factory code) | GP 306 |
| Size | 680*φ277mm |
| Port inner Dia. | Oval port: 80mmx48mm Round port: 33mm |
| Number of Entry ports | 1+5 |
| Max.Capacity of Splice Tray | 72 |
| Max. Capacity | 576 |
| Loose buffer tube storage basket | With |
| Sealing Method | Heat-shrink sealing |
| Adapter | --- |
| Application | Wall, Pole, Aerial, Pipeline, Direct-buried |

GJS03-M4AX-AL-12-672C(GP321)

PICTURE

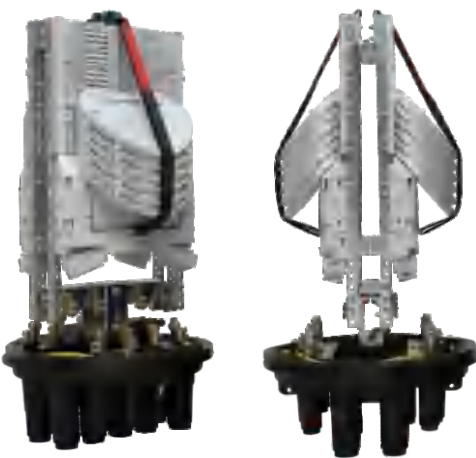


PARAMETER TABLE

| | |
|----------------------------------|--|
| Model (factory code) | GP 321 |
| Size | 679*φ277mm |
| Port inner Dia. | Oval port: 90mmx31mm Round port: 21mm/16mm |
| Number of Entry ports | 1+16 |
| Max.Capacity of Splice Tray | 12 |
| Max. Capacity | 672 |
| Loose buffer tube storage basket | With |
| Sealing Method | Heat-shrink sealing |
| Adapter | --- |
| Application | Wall, Pole, Aerial, Pipeline, Direct-buried |

GJS03-M5AX-AL-288C(GP220)

PICTURE



PARAMETER TABLE

| | |
|----------------------------------|--|
| Model (factory code) | GP 220 |
| Size | 508.9*φ277mm |
| Port inner Dia. | Oval port: 90mmx31mm Round port: 21mm/16mm |
| Number of Entry ports | 1+16 |
| Max.Capacity of Splice Tray | 12 |
| Max. Capacity | 288 |
| Loose buffer tube storage basket | With |
| Sealing Method | Heat-shrink sealing |
| Adapter | --- |
| Application | Wall, Pole, Aerial, Pipeline, Direct-buried |

M5AX-RS-AL-SC(48) 12~144C(GP220)

PICTURE



PARAMETER TABLE

| | |
|----------------------------------|--|
| Model (factory code) | GP 220-SC/48 |
| Size | 508.9*φ277mm |
| Port inner Dia. | Oval port: 90mmx31mm Round port: 21mm/16mm |
| Number of Entry ports | 1+16 |
| Max.Capacity of Splice Tray | 12 |
| Max. Capacity | 144 |
| Loose buffer tube storage basket | With |
| Sealing Method | Heat-shrink sealing |
| Adapter | SC/48 |
| Application | Wall, Pole, Aerial, Pipeline, Direct-buried |

GJS03-M5AX-RS-AL-288C(GP304)

PICTURE



PARAMETER TABLE

| | |
|----------------------------------|--|
| Model (factory code) | GP 304 |
| Size | 506.1*φ277mm |
| Port inner Dia. | Oval port: 90mmx31mm Round port: 21mm/16mm |
| Number of Entry ports | 1+6 |
| Max.Capacity of Splice Tray | 12 |
| Max. Capacity | 288 |
| Loose buffer tube storage basket | With |
| Sealing Method | Heat-shrink sealing |
| Adapter | --- |
| Application | Wall, Pole, Aerial, Pipeline, Direct-buried |

GJS03-M5AX-JX-AL-288C(GP304)

PICTURE



PARAMETER TABLE

| | |
|----------------------------------|--|
| Model (factory code) | GP 304-JX |
| Size | 506.1*φ277mm |
| Port inner Dia. | Oval port: 90mmx31mm Round port: 33mm |
| Number of Entry ports | 1+6 |
| Max.Capacity of Splice Tray | 12 |
| Max. Capacity | 288 |
| Loose buffer tube storage basket | With |
| Sealing Method | Round port:Mechanical sealing Oval port:Heat-shrink sealing |
| Adapter | --- |
| Application | Wall, Pole, Aerial, Pipeline, Direct-buried |

M5AX-JX-AL-SC(48)-12~144C(GP304)

PICTURE



PARAMETER TABLE

| | |
|----------------------------------|---|
| Model (factory code) | GP 304-JX-SC/48 |
| Size | 506.1*Φ277mm |
| Port inner Dia. | Oval port: 90mmx31mm Round port: 33mm |
| Number of Entry ports | 1+6 |
| Max.Capacity of Splice Tray | 12 |
| Max. Capacity | 144 |
| Loose buffer tube storage basket | With |
| Sealing Method | Round port:Mechanical sealing Oval port:Heat-shrink seal |
| Adapter | SC/48 |
| Application | Wall, Pole, Aerial, Pipeline, Direct-buried |

GJS03-M6AX-48C(GP223)

PICTURE



PARAMETER TABLE

| | |
|----------------------------------|--|
| Model (factory code) | GP 223 |
| Size | 305*Φ147mm |
| Port inner Dia. | Oval port: 27mmx13mm Round port: 15mm |
| Number of Entry ports | 1+3 |
| Max.Capacity of Splice Tray | 12 |
| Max. Capacity | 48 |
| Loose buffer tube storage basket | With |
| Sealing Method | Heat-shrink sealing |
| Adapter | — |
| Application | Wall, Pole, Aerial, Pipeline, Direct-buried |

GJS03-M6AX-96C-I(GP339)

PICTURE



PARAMETER TABLE

| | |
|----------------------------------|--|
| Model (factory code) | GP 339 |
| Size | 315*Φ135mm |
| Port inner Dia. | Oval port: 51mmx28mm Round port: 17mm |
| Number of Entry ports | 1+4 |
| Max.Capacity of Splice Tray | 24 |
| Max. Capacity | 96 |
| Loose buffer tube storage basket | With |
| Sealing Method | Heat-shrink sealing |
| Adapter | — |
| Application | Wall, Pole, Aerial, Pipeline, Direct-buried |

GJS03-M8AX-12~144C (GP313)

PICTURE



PARAMETER TABLE

| | |
|----------------------------------|--|
| Model (factory code) | GP 313 |
| Size | 511.6*Φ216mm |
| Port inner Dia. | Oval port: 62mmx37mm Round port: 24mm |
| Number of Entry ports | 1+4 |
| Max.Capacity of Splice Tray | 24 |
| Max. Capacity | 144 |
| Loose buffer tube storage basket | With |
| Sealing Method | Heat-shrink sealing |
| Adapter | — |
| Application | Wall, Pole, Aerial, Pipeline, Direct-buried |

GJS03-M8AX-JX-24~144(GP322)

PICTURE



PARAMETER TABLE

| | |
|----------------------------------|--|
| Model (factory code) | GP 322 |
| Size | 577*Φ216mm |
| Port inner Dia. | Oval port: 2x22mm Round port: 22mm |
| Number of Entry ports | 1+4 |
| Max.Capacity of Splice Tray | 24 |
| Max. Capacity | 144 |
| Loose buffer tube storage basket | With |
| Sealing Method | Mechanical sealing |
| Adapter | — |
| Application | Wall, Pole, Aerial, Pipeline, Direct-buried |

GJS03-M9AX-24~144C(GP317)

PICTURE



PARAMETER TABLE

| | |
|----------------------------------|--|
| Model (factory code) | GP 317 |
| Size | 532*Φ239.6mm |
| Port inner Dia. | Oval port: 62mmx37mm Round port: 24mm |
| Number of Entry ports | 1+6 |
| Max.Capacity of Splice Tray | 24 |
| Max. Capacity | 144 |
| Loose buffer tube storage basket | With |
| Sealing Method | Heat-shrink sealing |
| Adapter | — |
| Application | Wall, Pole, Aerial, Pipeline, Direct-buried |

GJS03-M9AX-RS-288C-SRZJ21-W12(GP1423)

PICTURE



PARAMETER TABLE

| | |
|----------------------------------|--|
| Model (factory code) | GP 1423 |
| Size | 532*Φ239.6mm |
| Port inner Dia. | Oval port: 62mmx37mm Round port: 24mm |
| Number of Entry ports | 1+6 |
| Max.Capacity of Splice Tray | 24 |
| Max. Capacity | 288 |
| Loose buffer tube storage basket | With |
| Sealing Method | Heat-shrink sealing |
| Adapter | — |
| Application | Wall, Pole, Aerial, Pipeline, Direct-buried |

GJS03-M9AX-JX-288C-SRZJ21-W12(GP1425)

PICTURE

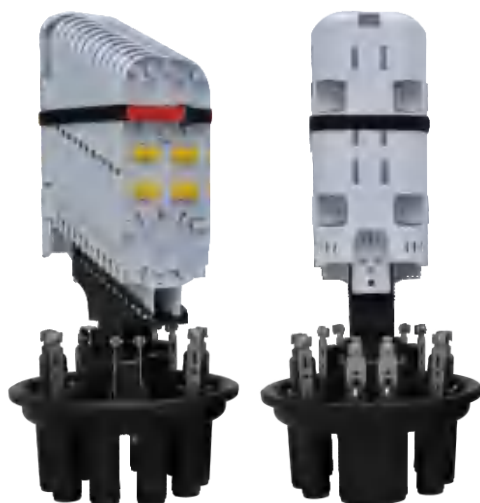


PARAMETER TABLE

| | |
|----------------------------------|--|
| Model (factory code) | GP 1425 |
| Size | 592.5*Φ239.6mm |
| Port inner Dia. | Oval port: 2x22mm Round port: 22mm |
| Number of Entry ports | 1+6 |
| Max.Capacity of Splice Tray | 24 |
| Max. Capacity | 288 |
| Loose buffer tube storage basket | With |
| Sealing Method | Mechanical sealing |
| Adapter | — |
| Application | Wall, Pole, Aerial, Pipeline, Direct-buried |

GJS03-M10AX-RS-288C-SRZJ-21

PICTURE



PARAMETER TABLE

| | |
|----------------------------------|--|
| Model (factory code) | M10-RS-288 |
| Size | 591*Φ269mm |
| Port inner Dia. | Oval port: 62mmx37mm Round port: 24mm |
| Number of Entry ports | 1+8 |
| Max.Capacity of Splice Tray | 24 |
| Max. Capacity | 288 |
| Loose buffer tube storage basket | With |
| Sealing Method | Heat-shrink sealing |
| Adapter | — |
| Application | Wall, Pole, Aerial, Pipeline, Direct-buried |

GJS03-M10AX-RS-432C-N14(GP367)

PICTURE



PARAMETER TABLE

| | |
|----------------------------------|--|
| Model (factory code) | GP 367 |
| Size | 591*Φ269mm |
| Port inner Dia. | Oval port: 62mmx37mm Round port: 24mm |
| Number of Entry ports | 1+8 |
| Max.Capacity of Splice Tray | 72 |
| Max. Capacity | 432 |
| Loose buffer tube storage basket | With |
| Sealing Method | Heat-shrink sealing |
| Adapter | — |
| Application | Wall, Pole, Aerial, Pipeline, Direct-buried |

GJS03-M10AX-JX-24~288C-SRZJ-21

PICTURE



PARAMETER TABLE

| | |
|----------------------------------|--|
| Model (factory code) | M10-JX-288 |
| Size | 651*Φ269mm |
| Port inner Dia. | Oval port: 2x22mm Round port: 22mm |
| Number of Entry ports | 1+8 |
| Max.Capacity of Splice Tray | 24 |
| Max. Capacity | 288 |
| Loose buffer tube storage basket | With |
| Sealing Method | Mechanical sealing |
| Adapter | — |
| Application | Wall, Pole, Aerial, Pipeline, Direct-buried |

GJS03-M10AX-JX-432C(GP318)

PICTURE



PARAMETER TABLE

| | |
|----------------------------------|--|
| Model (factory code) | GP 318 |
| Size | 651*Φ269mm |
| Port inner Dia. | Oval port: 2x22mm Round port: 22mm |
| Number of Entry ports | 1+8 |
| Max.Capacity of Splice Tray | 72 |
| Max. Capacity | 432 |
| Loose buffer tube storage basket | With |
| Sealing Method | Mechanical sealing |
| Adapter | — |
| Application | Wall, Pole, Aerial, Pipeline, Direct-buried |

GJS03-M11AX-4/16-24~96C(GP341)

PICTURE



PARAMETER TABLE

| | |
|----------------------------------|--|
| Model (factory code) | GP 341 |
| Size | 398.5*φ269.1mm |
| Port inner Dia. | Oval port: 47mmx21mm Round port: Drop Cable |
| Number of Entry ports | 1+2+16 |
| Max.Capacity of Splice Tray | 24 |
| Max. Capacity | 96 |
| Loose buffer tube storage basket | Without |
| Sealing Method | Mechanical sealing |
| Adapter | SC/16 (Micro PLC Splitter) |
| Application | Wall, Pole, Aerial |

GJS03-M12AX-1/8-12C (GP353)

PICTURE



PARAMETER TABLE

| | |
|----------------------------------|--|
| Model (factory code) | GP 353 |
| Size | 186*φ182mm |
| Port inner Dia. | Oval port: 51mmx18mm Round port: Drop Cable |
| Number of Entry ports | 1+8 |
| Max.Capacity of Splice Tray | 12 |
| Max. Capacity | 12 |
| Loose buffer tube storage basket | Without |
| Sealing Method | Mechanical sealing |
| Adapter | SC/8 (Micro PLC Splitter) |
| Application | Wall, Pole |

GJS03-M14AX-RS-144C(GP374)

PICTURE



PARAMETER TABLE

| | |
|----------------------------------|--|
| Model (factory code) | GP 374 |
| Size | 255*153*450mm |
| Port inner Dia. | Oval port: 90mmx30mm Round port: 33mm |
| Number of Entry ports | 1+6 |
| Max.Capacity of Splice Tray | 12 |
| Max. Capacity | 144 |
| Loose buffer tube storage basket | Without |
| Sealing Method | Heat-shrink sealing |
| Adapter | SC/14 |
| Application | Wall, Pole, Aerial, Pipeline, Direct-buried |

GJS03-M14AX-JX-144C(GP374)

PICTURE



PARAMETER TABLE

| | |
|----------------------------------|--|
| Model (factory code) | GP 374-JX |
| Size | 255*153*450mm |
| Port inner Dia. | Oval port: 90mmx30mm Round port: 33mm |
| Number of Entry ports | 1+6 |
| Max.Capacity of Splice Tray | 12 |
| Max. Capacity | 144 |
| Loose buffer tube storage basket | Without |
| Sealing Method | Mechanical sealing |
| Adapter | SC/14 |
| Application | Wall, Pole, Aerial, Pipeline, Direct-buried |

GJS03-M15AX-A14-144C (GP394)

PICTURE



PARAMETER TABLE

| | |
|----------------------------------|--|
| Model (factory code) | GP 394 |
| Size | 394*φ239.6mm |
| Port inner Dia. | Oval port: 58mmx34mm Round port: 7mm/12mm |
| Number of Entry ports | 1+14 |
| Max.Capacity of Splice Tray | 24 |
| Max. Capacity | 144 |
| Loose buffer tube storage basket | Without |
| Sealing Method | Heat-shrink sealing |
| Adapter | — |
| Application | Wall, Pole, Aerial, Pipeline, Direct-buried |

GJS03-M15AX-A14-144C-NABS02 (GP394)

PICTURE



PARAMETER TABLE

| | |
|----------------------------------|--|
| Model (factory code) | GP 394 |
| Size | 394*φ239.6mm |
| Port inner Dia. | Oval port: 58mmx34mm Round port: 7mm/12mm |
| Number of Entry ports | 1+14 |
| Max.Capacity of Splice Tray | 24 |
| Max. Capacity | 144 |
| Loose buffer tube storage basket | With |
| Sealing Method | Heat-shrink sealing |
| Adapter | — |
| Application | Wall, Pole, Aerial, Pipeline, Direct-buried |

GJS03-M15BX-A14-144C (GP394)

PICTURE



PARAMETER TABLE

| | |
|----------------------------------|--|
| Model (factory code) | GP 394 |
| Size | 394*φ239.6mm |
| Port inner Dia. | Oval port: 58mmx34mm Round port: 7mm/12mm |
| Number of Entry ports | 1+14 |
| Max.Capacity of Splice Tray | 24 |
| Max. Capacity | 144 |
| Loose buffer tube storage basket | Without |
| Sealing Method | Heat-shrink sealing |
| Adapter | --- |
| Application | Wall, Pole, Aerial, Pipeline, Direct-buried |

GJS03-M15BX-A14-144C-NABS02 (GP394)




PICTURE



PARAMETER TABLE

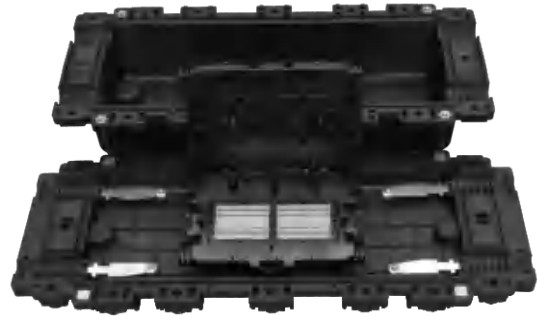
| | |
|----------------------------------|--|
| Model (factory code) | GP 394 |
| Size | 394*φ239.6mm |
| Port inner Dia. | Oval port: 58mmx34mm Round port: 7mm/12mm |
| Number of Entry ports | 1+14 |
| Max.Capacity of Splice Tray | 24 |
| Max. Capacity | 144 |
| Loose buffer tube storage basket | With |
| Sealing Method | Heat-shrink sealing |
| Adapter | --- |
| Application | Wall, Pole, Aerial, Pipeline, Direct-buried |

Splice trays

| | | | | | |
|---|--|---|---|---------------------------------|--|
|  |  |  | | | |
| Splice trays mode RQP-06-24C | For fiber optic splice closure model M1AX(heat shrinkable cable entries way) M15 | Splice trays mode RQP-08-24C | For fiber optic splice closure model M1BX(heat shrinkable cable entries way) | Splice trays mode RQP-35-24C | For fiber optic splice closure model M1-JX (mechanical sealing way) |
|  |  |  | | | |
| Splice trays mode RQP-05-24C-I | For fiber optic splice closure model M2AX,M3AX | Splice trays mode RQP-07-24C-I | For fiber optic splice closure model M2BX,M3BX | Splice trays mode RQP-09-72C | For fiber optic splice closure model M4AX |
|  |  |  | | | |
| Splice trays mode RQP-15-12C | For fiber optic splice closure model M5,M14 | Splice trays mode RQPT-26-4C | For fiber optic splice closure model M5,M14 | Splice trays mode RQP-17-12C | For fiber optic splice closure model M6AX-48 (GP223) |
|  |  |  | | | |
| Splice trays mode RQP-36-24C | For fiber optic splice closure model M6AX-96-1 (GP339) | Splice trays mode RQP-32-24C | For fiber optic splice closure model M8,M9,M10 | Splice trays mode RQP-23-72C | For fiber optic splice closure model M10 |

 GP01-H15J4-72~432

 PICTURE



 PARAMETER TABLE

| | |
|-----------------------------|---------------------------------|
| Model (factory code) | GP01-H15 |
| Size | 575*226.9*150mm |
| Applicable Cable Dia. | 10-23mm |
| Number of Entry ports | 4 |
| Max.Capacity of Splice Tray | 72 |
| Max. Capacity | 288F (Ribbon) |
| Sealing Method | Mechanical + Screws |
| Adapter | --- |
| Application | Aerial, Pipeline, Direct-buried |


 GP01-H17JM4-24~96

 PICTURE



 PARAMETER TABLE

| | |
|-----------------------------|---------------------------------|
| Model (factory code) | GP01-H17 |
| Size | 636*210*141mm |
| Applicable Cable Dia. | 10-21mm |
| Number of Entry ports | 4 |
| Max.Capacity of Splice Tray | 24 |
| Max. Capacity | 144 |
| Sealing Method | Mechanical +Clip type lock |
| Adapter | --- |
| Application | Aerial, Pipeline, Direct-buried |

 GP01-H23JF4(16-24)

 PICTURE

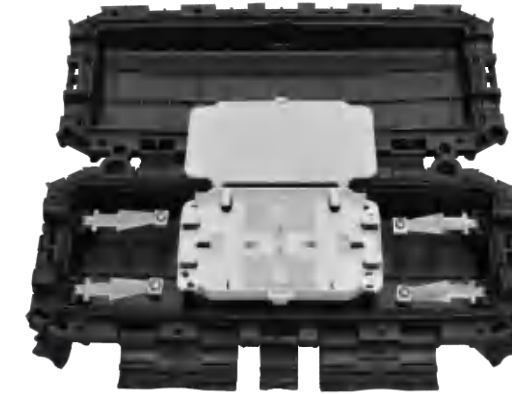


 PARAMETER TABLE

| | |
|-----------------------------|---------------------------------------|
| Model (factory code) | GP01-H23 |
| Size | 319*195*103mm |
| Applicable Cable Dia. | Big port: 8-12mm Drop cable: 2*3mm |
| Number of Entry ports | 4+6 |
| Max.Capacity of Splice Tray | 24 |
| Max. Capacity | 24 |
| Sealing Method | Mechanical +Clip type lock |
| Splitter type | Micro PLC splitter: SC/UPC-1/16 |
| Adapter | SC/16 |
| Application | Aerial |

 GP01-H25JF4-24~48

 PICTURE



 PARAMETER TABLE

| | |
|-----------------------------|----------------------------|
| Model (factory code) | GP01-H25 |
| Size | 338*147*91mm |
| Applicable Cable Dia. | 6-16mm |
| Number of Entry ports | 4 |
| Max.Capacity of Splice Tray | 24 |
| Max. Capacity | 48 |
| Sealing Method | Mechanical +Clip type lock |
| Adapter | --- |
| Application | Aerial |

 GP01-H31JF4(8)-36C

 PICTURE



 PARAMETER TABLE

| | |
|-----------------------------|---------------------------------------|
| Model (factory code) | GP01-H31 |
| Size | 318.5*238*118mm |
| Applicable Cable Dia. | Big port: 9-11mm Drop cable: 2*3mm |
| Number of Entry ports | 4+8 |
| Max.Capacity of Splice Tray | 12 |
| Max. Capacity | 36 |
| Sealing Method | Mechanical +Clip type lock |
| Splitter type | 1:8 |
| Adapter | SC/8 |
| Application | Aerial,pole,wall |

 GP01-H32JF6

 PICTURE



 PARAMETER TABLE

| | |
|-----------------------------|--|
| Model (factory code) | GP01-H32 |
| Size | 420*233.6*154.1mm |
| Applicable Cable Dia. | 8-12mm |
| Number of Entry ports | 6+16 |
| Max.Capacity of Splice Tray | 24 |
| Max. Capacity | 120F+Micro PLC Splitter or 48F+insertion Splitter |
| Sealing Method | Mechanical +Clip type lock |
| Splitter type | Micro PLC splitter:SC/UPC-1/8 Insertion type splitter:SC/UPC-1/16 |
| Adapter | SC/16 |
| Application | Aerial |

 GP01-H33JF4(16)-48

 PICTURE



 PARAMETER TABLE

| | |
|-----------------------------|---------------------------------------|
| Model (factory code) | GP01-H33 |
| Size | 359*277*120mm |
| Applicable Cable Dia. | Big port: 8-12mm Drop cable: 2*3mm |
| Number of Entry ports | 4+16 |
| Max.Capacity of Splice Tray | 24 |
| Max. Capacity | 48 |
| Sealing Metho | Mechanical +Clip type lock |
| Splitter type | Micro PLC splitter: SC/UPC-1/16 |
| Adapter | SC/16 |
| Application | Aerial, Wall, Pole |

 GP01-H39JM6-24~72

 PICTURE

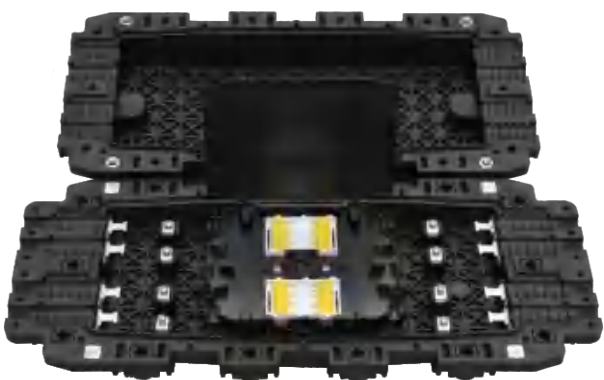


 PARAMETER TABLE

| | |
|-----------------------------|---------------------------------|
| Model (factory code) | GP01-H39 |
| Size | 500*220*111.8mm |
| Applicable Cable Dia. | 8-14mm |
| Number of Entry ports | 6 |
| Max.Capacity of Splice Tray | 24 |
| Max. Capacity | 72 |
| Sealing Method | Mechanical + Screws |
| Adapter | --- |
| Application | Aerial, Pipeline, Direct-buried |

 GP01-H40JM8-24~72

 PICTURE



 PARAMETER TABLE

| | |
|-----------------------------|---------------------|
| Model (factory code) | GP01-H40 |
| Size | 494*213*112mm |
| Applicable Cable Dia. | 8-14mm |
| Number of Entry ports | 8 |
| Max.Capacity of Splice Tray | 24 |
| Max. Capacity | 72 |
| Sealing Method | Mechanical + Screws |
| Adapter | --- |
| Application | Aerial, Pipeline |

 GP01-H41JM4-12~48

 PICTURE



 PARAMETER TABLE

| | |
|-----------------------------|-----------------------------|
| Model (factory code) | GP01-H41 |
| Size | 530*196*121mm |
| Applicable Cable Dia. | 8-12mm |
| Number of Entry ports | 4 |
| Max.Capacity of Splice Tray | 24 |
| Max. Capacity | 48 |
| Sealing Method | Mechanical +Clipe type lock |
| Adapter | --- |
| Application | Aerial, Pipeline |

 GP01-H42JM4-12~48

 PICTURE



 PARAMETER TABLE

| | |
|-----------------------------|---------------------------------|
| Model (factory code) | GP01-H42 |
| Size | 500*200*106.41mm |
| Applicable Cable Dia. | 8-12mm |
| Number of Entry ports | 8 |
| Max.Capacity of Splice Tray | 24 |
| Max. Capacity | 48 |
| Sealing Method | Mechanical + Screws |
| Adapter | --- |
| Application | Aerial, Pipeline, Direct-buried |

 GP01-GP01-H43JM4-24~96

 PICTURE



 PARAMETER TABLE

| | |
|-----------------------------|---------------------------------|
| Model (factory code) | GP01-H43 |
| Size | 515*220*122mm |
| Applicable Cable Dia. | 8-21mm |
| Number of Entry ports | 4 |
| Max.Capacity of Splice Tray | 24 |
| Max. Capacity | 96 |
| Sealing Method | Mechanical +Clipe type lock |
| Adapter | --- |
| Application | Aerial, Pipeline, Direct-buried |

 GP01-H54JF4-24~48

 PICTURE



 PARAMETER TABLE

| | |
|-----------------------------|------------------------------|
| Model (factory code) | GP01-H54 |
| Size | 284*155*74mm |
| Applicable Cable Dia. | 6-11mm |
| Number of Entry ports | 4 |
| Max.Capacity of Splice Tray | 24 |
| Max. Capacity | 48 |
| Sealing Method | Mechanical + Clipe type lock |
| Adapter | --- |
| Application | Aerial, Pipeline |

 GP01-H55JF4-24~96

 PICTURE

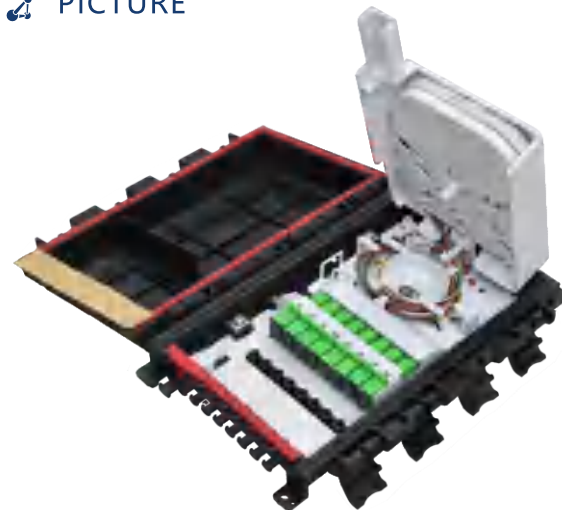


 PARAMETER TABLE

| | |
|-----------------------------|------------------------------|
| Model (factory code) | GP01-H55 |
| Size | 350*180*70mm |
| Applicable Cable Dia. | 8-16mm |
| Number of Entry ports | 4 |
| Max.Capacity of Splice Tray | 24 |
| Max. Capacity | 96 |
| Sealing Method | Mechanical + Clipe type lock |
| Adapter | --- |
| Application | Aerial, Pipeline |

 GP01-H60JF2(8)-32C

 PICTURE



 PARAMETER TABLE

| | |
|-----------------------------|---------------------------------------|
| Model (factory code) | GP01-H60 |
| Size | 254*141*59mm |
| Applicable Cable Dia. | Big port: 5-11mm Drop cable: 2*3mm |
| Number of Entry ports | 2+8 |
| Max.Capacity of Splice Tray | 12 |
| Max. Capacity | 24 |
| Sealing Metho | Mechanical + Clipe type lock |
| Splitter type | Micro PLC splitter: SC/UPC-1/8 |
| Adapter | SC/8 |
| Application | Wall |

 GP01-H61JM4-12~48

 PICTURE



 PARAMETER TABLE

| | |
|-----------------------------|---------------------------------|
| Model (factory code) | GP01-H61 |
| Size | 464*198*105mm |
| Applicable Cable Dia. | 8-12mm |
| Number of Entry ports | 4 |
| Max.Capacity of Splice Tray | 24 |
| Max. Capacity | 48 |
| Sealing Method | Mechanical + Screws |
| Adapter | --- |
| Application | Aerial, Pipeline, Direct-buried |

 GP01-H62JM4

 PICTURE

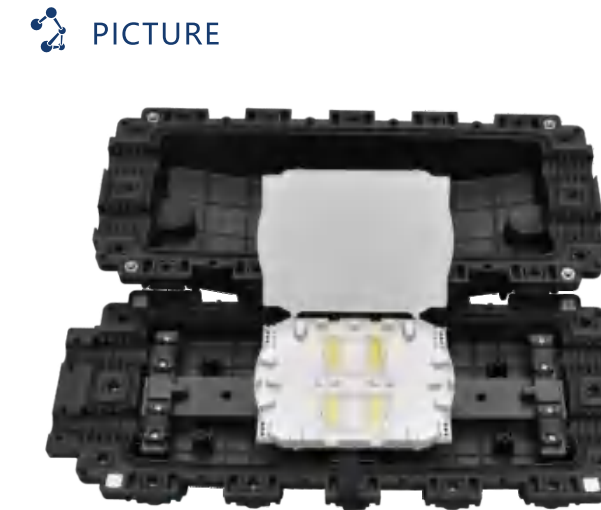


 PARAMETER TABLE

| | |
|-----------------------------|---------------------------------|
| Model (factory code) | GP01-H62 |
| Size | 575*227*150mm |
| Applicable Cable Dia. | 8-21mm |
| Number of Entry ports | 4 |
| Max.Capacity of Splice Tray | 72 |
| Max. Capacity | 288(Ribbon) |
| Sealing Method | Mechanical + Screws |
| Adapter | --- |
| Application | Aerial, Pipeline, Direct-buried |

 GP01-H63JM4

 PICTURE

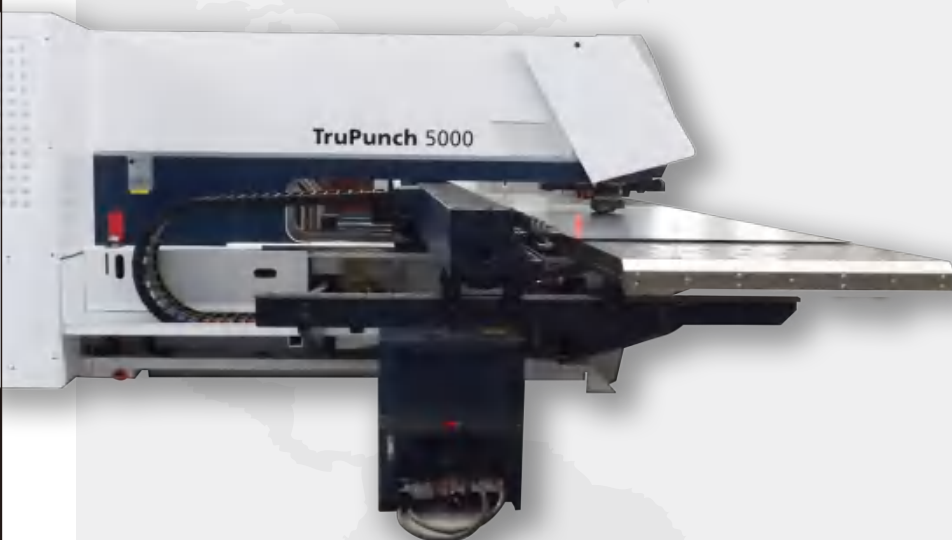


 PARAMETER TABLE

| | |
|-----------------------------|---------------------------------|
| Model (factory code) | GP01-H63 |
| Size | 534*215*139mm |
| Applicable Cable Dia. | 8-21mm |
| Number of Entry ports | 4 |
| Max.Capacity of Splice Tray | 24 |
| Max. Capacity | 144(Ribbon) |
| Sealing Method | Mechanical + Screws |
| Adapter | --- |
| Application | Aerial, Pipeline, Direct-buried |

METAL PLATE CENTER

- 2000+
Set of
Monthly output of municipal
garbage bins
- 1000
Set of
Monthly output of outdoor
communication cabinet
- 2000
Set of
Monthly output of various IOL cabinets
- 500
Set of
Monthly output of medical carts,
tools and bedding
- 300
Set of
Monthly output of AC man-machine
interface series control cabinet
- 300+
Set of
Monthly output of bullet train
supporting products



METAL CUTTING AND PUNCHING MACHINES

TRUMPF laser cutting machines imported from Germany x 2sets
CNC machining equipment x 2sets

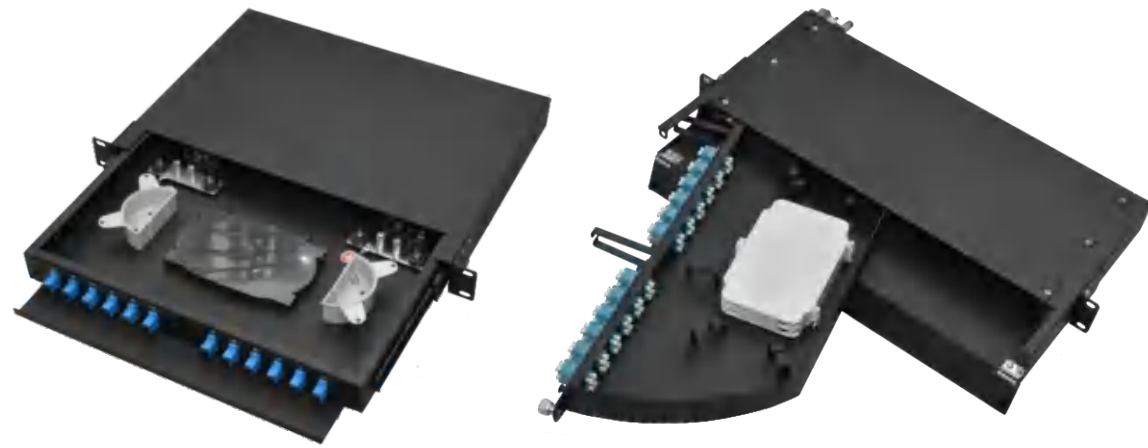


METAL BENDING MACHINES

Among them, SALVAGNINI(S2+P2) imported from Italy x 1set



RACK MOUNT FIBER OPTIC TERMINAL BOX



GP436-12C

GP1223-48C

INTRODUCTION

Used for indoor fiber cable direct splicing or branch splicing to store pigtailed and protect splicing joints, simple structure and rational design, available for 19" rack mount installation.

FEATURES

It can be pulled out for easy operation and standard 19" rack mount installation, high-density capacity.

TECHNICAL PARAMETER

Operating Temperature: -25°C ~ +55°C
 Atmospheric Pressure: 70 ~ 106kpa
 Relative Humidity: ≤95% (+40°C)
 Voltage Resistance: ≥3000V (DC) /min, no breakdown and flashover
 Insulation Resistance: ≥2×10⁴MΩ/500V (DC)
 Connector Attenuation(insert, exchange, reuse): ≤0.5dB. Interconnect Provides an interface between a transmission device and an external optical cable. According to the different application environment, the fiber optic terminal box can be divided into indoor and outdoor.

PARAMETER TABLE

| Model | Dimension-mm (W*D*H) | Capacity | Material | Surface Treatment | Adapter |
|------------|----------------------|----------|--|-------------------|------------|
| GP436-12C | 430*320*44 | 12C | Stainless, Cold-Rolled Sheet, Galvanized Sheet | Powder Coating | SC, FC, LC |
| GP411-24C | 430*320*44 | 24C | Stainless, Cold-Rolled Sheet, Galvanized Sheet | Powder Coating | SC, FC, LC |
| GP409-48C | 430*320*86 | 48C | Stainless, Cold-Rolled Sheet, Galvanized Sheet | Powder Coating | SC, FC, LC |
| GP491-96C | 430*320*178 | 96C | Stainless, Cold-Rolled Sheet, Galvanized Sheet | Powder Coating | SC, FC, LC |
| GP1223-48C | 440*310*44 | 48C | Stainless, Cold-Rolled Sheet, Galvanized Sheet | Powder Coating | SC, FC, LC |



FIBER OPTIC DISTRIBUTION CABINET



GP912-48C

GP1262-48C

GP988-48C

INTRODUCTION

GP912/GP1262: Suitable for indoor and outdoor, corridor in the connection of lead-in and butterfly cable or connecting the vertical cable and horizontal cable in the building interface equipment. Fiber optic distribution cabinet contains optical terminal, optical splicing or mechanical connection protection unit, available for wall and pole mounting.

GP988: Suitable for indoor, corridor in the connection of lead-in cable and butterfly cable or connecting the vertical cable and horizontal cable in the building interface equipment. Fiber optic distribution cabinet contains optical terminal, optical splicing or mechanical connection protection unit, available for wall mounting.

FEATURES

GP912/GP1262: Single door, modular design, convenient operation, cable lead-in from down. High density capacity with small overlapping trays.

GP988: Double doors, modular design, convenient operation, the cable lead-in from up and down.

TECHNICAL PARAMETER

Operating Temperature: GP912/GP1262: -40°C ~ +60°C, GP988: -25°C ~ +55°C
 Atmospheric Pressure: 70 ~ 106kpa
 Relative Humidity: ≤95% (+40°C)
 Voltage Resistance: ≥3000V (DC) /min, no breakdown and flashover
 Insulation Resistance: ≥2 × 10⁴ MΩ/ 500V (DC)
 Connector Attenuation (insert, exchange, reuse): ≤0.5dB
 Flame Retardant: meet GB/T 5169.5 - 2008 B1 grade.

PARAMETER TABLE

| Model | Dimension-mm (W*D*H) | Capacity | Material | IP Grade | Surface Treatment | Adapter | Remark |
|------------|----------------------|----------|--|----------|-------------------|------------|---------|
| GP912-48C | 400*450*120 | 48C | Stainless, Cold-Rolled Sheet, Galvanized Sheet | IP65 | Powder Coating | SC, FC, LC | Outdoor |
| GP1262-48C | 400*400*100 | 48C | Stainless, Cold-Rolled Sheet, Galvanized Sheet | IP65 | Powder Coating | SC, FC, LC | Outdoor |
| GP988-48C | 310*350*80 | 48C | Stainless, Cold-Rolled Sheet, Galvanized Sheet | IP65 | Powder Coating | SC, FC, LC | Indoor |



FIBER OPTIC SPLITTER BOX



GP500-32C



GP1299-32C

INTRODUCTION

Suitable for optical terminal splicing, splitter, distribution output. Effectively splice, protect and manage fiber cables. It is a necessary equipment in the process of optical network transmission. Available for wall and pole mounting.

FEATURES

GP500: Single door, modular design, convenient operation, the cable lead-in from down.
 Gp1299: Separate structure for fiber splicing and drop cable output area, non-interference, no waterproof and dust problems after repeated opening, compact design, optional insertion-type splitter or micro-type splitter.

TECHNICAL PARAMETER

Operating Temperature: -40°C ~ +60°C
 Atmospheric Pressure: 70 ~ 106kpa
 Relative Humidity: ≤95% (+40°C)
 Voltage Resistance: ≥ 3000V (DC) /min, no breakdown and flashover
 Insulation Resistance: ≥ 2 × 10⁴MΩ/ 500V (DC)
 Connector Attenuation (insert,exchange,reuse): ≤0.5dB
 Flame Retardant: meet GB/T 5169.5 - 2008 B1 grade.

PARAMETER TABLE

| Model | Dimension-mm (L*W*H) | Capacity | Material | IP Grade | Surface Treatment | Adapter |
|------------|----------------------|----------|--|----------|-------------------|---------|
| GP500-16C | 350*370*100 | 16C | Stainless Cold-rolled sheet galvanized sheet | IP65 | powder coating | SC |
| GP500-32C | 450*370*100 | 32C | Stainless Cold-rolled sheet galvanized sheet | IP65 | powder coating | SC |
| GP1299-16C | 345*292*100 | 16C | Stainless Cold-rolled sheet galvanized sheet | IP65 | powder coating | SC |
| GP1299-32C | 345*445*100 | 32C | Stainless Cold-rolled sheet galvanized sheet | IP65 | powder coating | SC |



FIBER OPTIC SPLICE CABINET

INTRODUCTION

It is suitable for connection of main cable and distribution cables in outdoor cable access network, can complete the cable lead-in, fixing and stripping & protection, and realize the functions of fiber direct connection, storage, as well as fiber splicing and dispatching. Available for outdoor floor, wall and aerial mounting.

FEATURES

With modular structure, adopting full frontal operation of lead-in, stripping and dispatching of fiber cable. Integrated splicing and storage module can realize the whole storage and pigtail parking. It can meet the use requirements of ribbon and no-ribbon fiber cables at the same time. Optional SC, FC, LC, adapter, easy and quick operation. Separate route for main and distribution cable, free of jumper cable, convenient for debugging and maintenance.



GXF-DJDK-288C

TECHNICAL PARAMETER

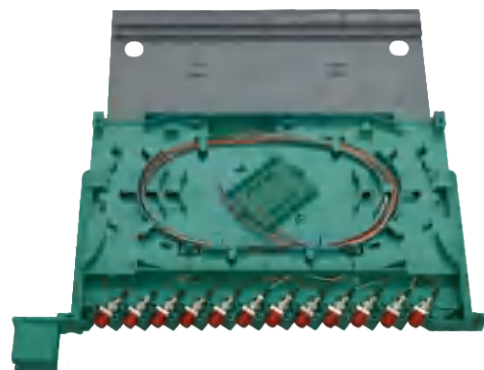
Operating Temperature: -40°C ~ +60°C
 Atmospheric Pressure: 70 ~ 106kpa
 Relative Humidity: ≤95% (+40°C)
 Voltage Resistance: ≥ 3000V (DC) /min, no breakdown and flashover
 Insulation Resistance: ≥ 2 × 10⁴MΩ/ 500V (DC)
 Connector Attenuation (insert,exchange,reuse) : ≤0.5dB
 Flame Retardant: meet GB/T 5169.5 - 2008 B1 grade.

PARAMETER TABLE

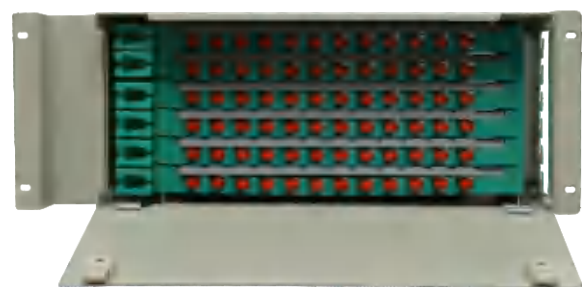
| Model | Dimension (W*D*H) | Capacity | Material | IP Grade | Surface Treatment | Adapter | Remark |
|----------------|-------------------|----------|---|----------|-------------------|------------|------------------------|
| GXF-DJDK-144 | 570*320*1030 | 144C | Stainless, Cold-Rolled Sheet, Galvanized Sheet, SMC | IP65 | Powder Coating | SC, FC, LC | With splice tray |
| GXF-DJDK-288 | 770*340*1446 | 288C | Stainless, Cold-Rolled Sheet, Galvanized Sheet, SMC | IP65 | Powder Coating | SC, FC, LC | With splice tray |
| GXF-DJQD-576 | 770*560*1460 | 576C | Stainless, Cold-Rolled Sheet, Galvanized Sheet, SMC | IP65 | Powder Coating | SC, FC, LC | With splice tray |
| GXF-DJDK-W-144 | 550*295*1035 | 144C | Stainless, Cold-Rolled Sheet, Galvanized Sheet, SMC | IP65 | Powder Coating | SC | Available for splitter |
| GXF-DJDK-W-288 | 750*320*1450 | 288C | Stainless, Cold-Rolled Sheet, Galvanized Sheet, SMC | IP65 | Powder Coating | SC | Available for splitter |
| GXF-DJQD-W-576 | 760*580*1461 | 576C | Stainless, Cold-Rolled Sheet, Galvanized Sheet, SMC | IP65 | Powder Coating | SC | Available for splitter |



ODF UNIT



RJP-02L-12C



GP714-72C

INTRODUCTION

Used in 19" cabinet or frame, or used alone in an ODF, also can be installed with digital distribution units and audio distribution units in the same cabinet or frame to form a comprehensive distribution frame, 19" rack mounting.

FEATURES

19" modular design with integrated splicing tray for quick plug-in installation.

TECHNICAL PARAMETER

Operating Temperature: -25°C ~ +55°C
 Atmospheric Pressure: 70 ~ 106kpa
 Relative Humidity: ≤95% (+40°C)
 Voltage Resistance: ≥ 3000V (DC) /min, no breakdown and flashover
 Insulation Resistance: ≥2×10⁴MΩ/500V (DC)
 Connector Attenuation(insert, exchange, reuse) ≤0.5dB.
 Flame Retardant: meet GB/T 5169.5 - 2008 B1 grade.

PARAMETER TABLE

| Model | Dimension-mm (W*D*H) | Capacity | Material | Surface Treatment | Adapter |
|-------|----------------------|----------|--|-------------------|------------|
| GP711 | 430*280*44 | 12C | Stainless, Cold-Rolled Sheet, Galvanized Sheet | Powder Coating | SC, FC, LC |
| GP712 | 430*280*88 | 24C | Stainless, Cold-Rolled Sheet, Galvanized Sheet | Powder Coating | SC, FC, LC |
| GP713 | 430*280*132 | 48C | Stainless, Cold-Rolled Sheet, Galvanized Sheet | Powder Coating | SC, FC, LC |
| GP714 | 430*280*176 | 72C | Stainless, Cold-Rolled Sheet, Galvanized Sheet | Powder Coating | SC, FC, LC |
| GP715 | 430*280*228 | 96C | Stainless, Cold-Rolled Sheet, Galvanized Sheet | Powder Coating | SC, FC, LC |
| GP716 | 430*280*330 | 144C | Stainless, Cold-Rolled Sheet, Galvanized Sheet | Powder Coating | SC, FC, LC |



OUTDOOR ASSEMBLED CABINET



HW123-40U

INTRODUCTION

Suitable for outdoor environment, such as roadside, park, roof, mountain and flat ground installation, can be installed with base station, power, battery, temperature control, transmission device and other supporting equipment, or reserved for the above equipment installation space and heat exchange capacity. Provides reliable mechanical and environmental protection for the normal operation of internal devices. available for outdoor floor or aerial installation.

FEATURES

Internal 19" structure, flexible combination, temperature control by subdivision, environmental protection, high integration, reduce footprint, rapid deployment and installation, air conditioning, switching power supply, battery, ODF unit can be configured by request.

TECHNICAL PARAMETER

Operating Temperature: - 40°C ~ + 55°C
 Atmospheric Pressure: 70 ~ 106kpa
 Relative Humidity: 5%-95%
 Voltage Resistance: ≥ 3000V (DC) /min, no breakdown and flashover
 Insulation Resistance: ≥ 2 × 10⁴ MΩ/ 500V (DC)
 Flame Retardant: meet GB/T 5169.5 - 2008 B1 grade.

PARAMETER TABLE

| Model | Dimension (W*D*H) | Capacity | Material | IP Grade | Surface Treatment | Air Conditioner | Switching Power Supply | Battery | Optional Components |
|-------|-------------------|----------|--|----------|-------------------|------------------------------------|------------------------|----------------------------------|--|
| HW123 | 900*900*2200 | 40U | Stainless Cold-Rolled Sheet Galvanized Sheet | IP65 | Powder Coating | Embedded Air Conditioner 1.5Kw | 48V/200A | Lithium-Iron Battery 48V/100Ah*2 | Power And Environment Monitoring System ODF Unit,PDU |
| HW127 | 2200*1200*2200 | 80U | | | | Rack-mounted Air Conditioner 6.5Kw | 48V/400A | Lithium-Iron Battery 48V/100Ah*5 | |
| HW128 | 3200*1200*2200 | 120U | | | | Rack-mounted Air Conditioner 6.5Kw | 48V/600A | Lithium-Iron Battery 48V/100Ah*8 | |



MODF

INTRODUCTION

It is used for the equipment cabinet in the communication room, which can integrate optical unit, digital unit, audio module and other units into one. As the physical protection and support platform for the equipment in the communication room, it provides a solid physical structure, good cable management space, power support, and excellent thermal management. Fiber cable routing can be optimized to save room space and engineering investment.

FEATURES

High-density dissipation mesh door, cabinet ventilation rate more than 80%, meet energy saving and emission reduction requirement, detachable side door for easy operation. The cabinet has a standard 19" installation structure and reasonable cable arrangement. Fans, trays, and power units can be configured by request. Floor mounting installation.



TECHNICAL PARAMETER

Operating Temperature: -5°C ~ +40°C
 Atmospheric Pressure: 70 ~ 106kpa
 Relative Humidity: ≤85% (+30°C)
 Voltage Resistance: ≥3000V (DC) /min, no breakdown and flashover
 Insulation Resistance: ≥2 × 10⁴ MΩ/500V (DC)
 Flame Retardant: meet GB/T 5169.5 - 2008 B1 grade

PARAMETER TABLE

| Model | Dimension-mm (W*D*H) | Material | Surface Treatment | Remark |
|-------|----------------------|---|-------------------|-----------------------------|
| 32U | 600*600*1600 | Stainless Cold-Rolled Sheet Galvanized Sheet | Powder Coating | Available for 19" equipment |
| 42U | 600*600*2000 | | | |
| 47U | 600*600*2200 | | | |
| 56U | 600*600*2600 | | | |



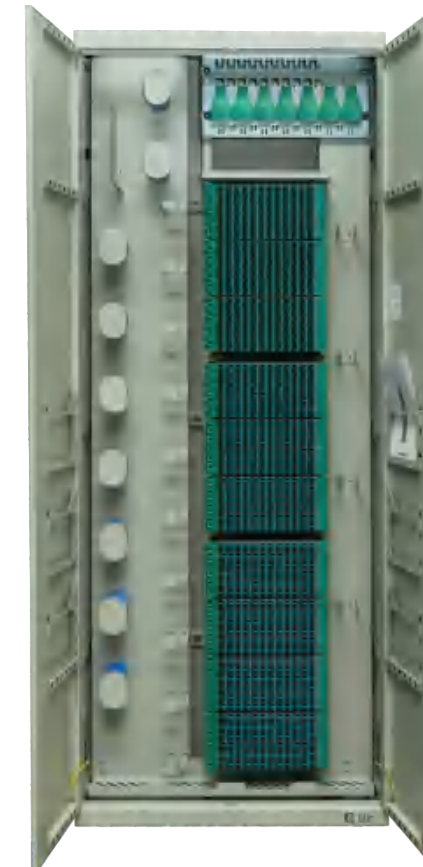
SINGLE-SIDE ODF

INTRODUCTION

Used for optical terminal splicing, connector installation, fiber routing alignment, excess pigtail storage and fiber protection, can easily realize the connection, distribution and dispatching of optical route.

FEATURES

Modular structure, single-side operation, integrated splicing and storage module for the whole pigtail storage; It can meet use requirements of ribbon and non-ribbon cable at the same time. Optional SC, FC, LC adapter, easy and quick operation; It can realize the functions of external fiber optic cable splicing, terminating and dispatching on one ODF platform.

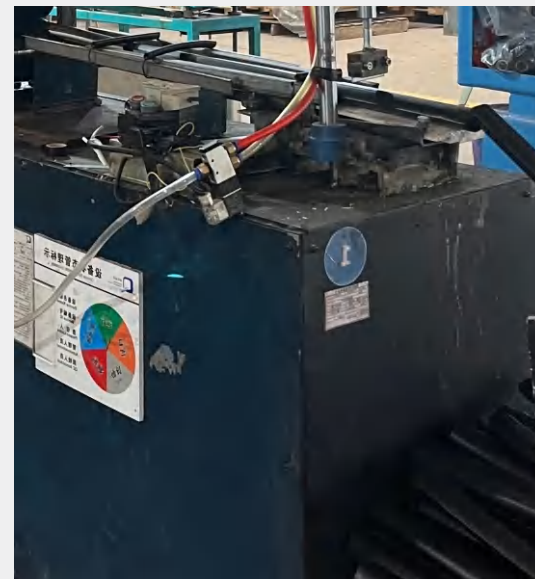
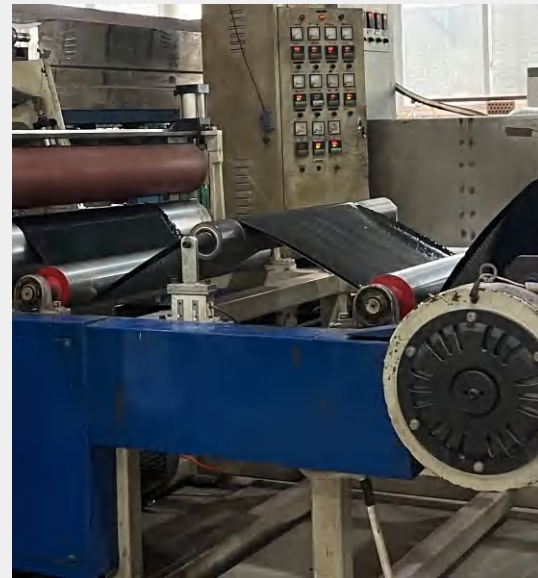


TECHNICAL PARAMETER

Operating Temperature: -25°C ~ +55°C
 Atmospheric Pressure: 70 ~ 106kpa
 Relative Humidity: ≤93% (+40°C)
 Voltage Resistance: ≥3000V (DC) /min, no breakdown and flashover
 Insulation Resistance: ≥2 × 10⁴ MΩ/500V (DC)
 Connector Attenuation (insert, exchange, reuse): ≤0.5dB
 Flame Retardant: meet GB/T 5169.5 - 2008 B1 grade

PARAMETER TABLE

| Dimension (W*D*H) | Capacity | Material | IP Grade | Surface Treatment | Adapter |
|-------------------|----------|--|----------|-------------------|----------|
| 2600*840*300 | 864C | Stainless Cold-rolled sheet galvanized sheet | - | powder coating | SC,FC,LC |
| 2600*600*300 | 576C | | | | |
| 2200*840*300 | 720C | | | | |
| 2200*600*300 | 504C | | | | |
| 2000*840*300 | 576C | | | | |
| 2000*600*300 | 360C | | | | |



PRODUCTION EQUIPMENT

Advanced Fiber Mesh Textile Machine
Automatic Thickness Measuring Compound Extrusion Set
Hot Melt Adhesive Coating Set
Continuous Tube Extrusion And Expansion Set, and
Other Key Production Equipment

HEAT SHRINKABLE SLEEVE

2000
Square meter
Daily Production Capacity

Max. Width 860mm
Max. Length 1500mm

HEAT SHRINKABLE TUBE

4000 ~ 8000
Meter
Daily Production Capacity

Glue Coating Method
Flat Glue、Spiral Glue
To Meet Different Requirement



RSBJ(F)500 SERIES

Heat shrinkable joint closure for non-pressurized telephone cable networks



INTRODUCTION

1. Be made of low density crosslinked polyethylene material, which is formed by extrusion and composite several times.
2. Suitable for aerial, pipeline and direct buried situation.
3. Special polyethylene material with high strength mechanical properties
4. Suitable for connecting oil-filled and non-oil-filled cables with polyethylene and metal sheathed cable.
5. Optional branching system for cable connection and dispatching, max. 4 cables.

FEATURES

1. Widely used in aerial, pipeline, and direct buried situation, it can work for a long time in -45°C to $+65^{\circ}\text{C}$ environment.
2. Composite superstrength structure, secondary sealing, high mechanical strength, tear resistance, heat shrinkage ratio, and excellent weather resistance.
3. Sealing with high quality imported hot melt adhesive, with super bonding ability, excellent leakage prevention, moisture-proof and pressure bearing ability. Softening point of glue up to 70°C to adapt to high ambient temperature area
4. The white line inside the rail and the heat sensitive paint on the outer surface can guide proper operation.
5. Suitable for different cables.
6. Easy and fast installation;

APPLICATION

Specially used for connecting and protecting non-pressurized telephone cable networks

PARAMETER TABLE

| Description | Splice bundle dia. Max | Single cable dia. Min | Sheath opening Length | Applicable cable pairs | |
|-----------------------|------------------------|-----------------------|-----------------------|------------------------|-----------|
| | | | | 0.4mm | 0.5mm |
| RSBJ(F)500 43/8-200 | 43 | 8 | 200 | 10-30 | 10-20 |
| RSBJ(F)500 43/8-500 | | | 500 | 50-100 | 20-50 |
| RSBJ(F)500 75/15-500 | 75 | 15 | 500 | 200-300 | 50-200 |
| RSBJ(F)500 92/25-500 | 92 | 25 | 650 | 400-600 | 200-500 |
| RSBJ(F)500 92/25-650 | | | 500 | 600-1000 | 600-1000 |
| RSBJ(F)500 160/42-500 | 160 | 42 | 500 | 1200-1600 | 1000-1600 |
| RSBJ(F)500 160/42-720 | | | 720 | 1800-3600 | 1600-2400 |
| RSBJ(F)500 200/50-500 | 200 | 50 | 500 | 1800-3600 | 1600-2400 |
| RSBJ(F)500 200/50-720 | | | 420 | | |



RSBJ(F)550 SERIES

Heat shrinkable joint closure for non-pressurized telephone cable networks



INTRODUCTION

1. Be made of low density crosslinked polyethylene material, which is formed by extrusion and composite several times.
2. Suitable for aerial, pipeline and direct buried situation.
3. Special polyethylene material with high strength mechanical properties
4. Suitable for connecting oil-filled and non-oil-filled cables with polyethylene and metal sheathed cable.
5. Optional branching system for cable connection and dispatching, max. 4 cables.

FEATURES

1. Widely used in aerial, pipeline, and direct buried situation, it can work for a long time in -45°C to $+65^{\circ}\text{C}$ environment.
2. Composite superstrength structure, secondary sealing, high mechanical strength, tear resistance, heat shrinkage ratio, and excellent weather resistance.
3. Sealing with high quality imported hot melt adhesive, with super bonding ability, excellent leakage prevention, moisture-proof and pressure bearing ability. Softening point of glue up to 70°C to adapt to high ambient temperature area
4. The white line inside the rail and the heat sensitive paint on the outer surface can guide proper operation.
5. Suitable for different cables.
6. Easy and fast installation;

APPLICATION

Specially used for connecting and protecting non-pressurized telephone cable networks

PARAMETER TABLE

| Description | Splice bundle dia. Max | Single cable dia. Min | Sheath opening Length | Applicable cable pairs | |
|-----------------------|------------------------|-----------------------|-----------------------|------------------------|-----------------|
| | | | | Wire dia. 0.4mm | Wire dia. 0.5mm |
| RSBJ(F)550 43/8-200 | 43 | 8 | 200 | 10-30 | 10-20 |
| RSBJ(F)550 43/8-500 | | | 500 | 50-100 | 20-50 |
| RSBJ(F)550 75/15-500 | 75 | 15 | 500 | 200-300 | 50-200 |
| RSBJ(F)550 92/25-500 | 92 | 25 | 650 | 400-600 | 200-500 |
| RSBJ(F)550 92/25-650 | | | 500 | 600-1000 | 600-1000 |
| RSBJ(F)550 122/30-500 | 122 | 30 | 500 | 600-1000 | 600-1000 |
| RSBJ(F)550 122/30-650 | | | 650 | 1200-1600 | 1000-1600 |
| RSBJ(F)550 160/42-500 | 160 | 42 | 500 | 1200-1600 | 1000-1600 |
| RSBJ(F)550 160/42-720 | | | 720 | 1800-3600 | 1600-2400 |
| RSBJ(F)550 200/50-500 | 200 | 50 | 500 | 1800-3600 | 1600-2400 |
| RSBJ(F)550 200/50-720 | | | 420 | | |



RSBAQ(F) 1000 SERIES

Heat shrinkable joint closure for pressurized telephone cable networks



INTRODUCTION

1. Be made of low density crosslinked polyethylene material, which is formed by extrusion and composite several times.
2. Suitable for aerial, pipeline and direct buried situation.
3. Special polyethylene material with high strength mechanical properties
4. Suitable for connecting oil-filled and non-oil-filled cables with polyethylene and metal sheathed cable.
5. Optional branching system for cable connection and dispatching, max. 4 cables.
6. Test valve for air-pressure meter or internal inflation test.

FEATURES

1. Widely used in aerial, pipeline, and direct buried situation, it can work for a long time in -45°C to $+65^{\circ}\text{C}$ environment.
2. Composite superstrength structure, secondary sealing, high mechanical strength, tear resistance, heat shrinkage ratio, and excellent weather resistance.
3. Sealing with high quality imported hot melt adhesive, with super bonding ability, excellent leakage prevention, moisture-proof and pressure bearing ability. Softening point of glue up to 70°C to adapt to high ambient temperature area
4. The white line inside the rail and the heat sensitive paint on the outer surface can guide proper operation.
5. Suitable for different cables.
6. Easy and fast installation;

APPLICATION

Specially used for connecting and protecting pressurized telephone cable networks

PARAMETER TABLE

| Description | Splice bundle dia. Max | Single cable dia. Min | Sheath opening Length | Applicable cable pairs | |
|-------------------------|------------------------|-----------------------|-----------------------|------------------------|-----------------|
| | | | | Wire dia. 0.4mm | Wire dia. 0.5mm |
| RSBAQ(F)1000 43/8-200 | 43 | 8 | 200 | 10-30 | |
| RSBAQ(F)1000 43/8-350 | | | 350 | | |
| RSBAQ(F)1000 43/8-500 | | | 500 | | |
| RSBAQ(F)1000 62/15-350 | 62 | 15 | 350 | 100-200 | |
| RSBAQ(F)1000 62/15-500 | | | 500 | | |
| RSBAQ(F)1000 62/15-650 | | | 650 | | |
| RSBAQ(F)1000 92/30-350 | 92 | 30 | 350 | 400-600 | |
| RSBAQ(F)1000 92/30-500 | | | 500 | | |
| RSBAQ(F)1000 92/30-650 | | | 650 | | |
| RSBAQ(F)1000 122/38-300 | 122 | 38 | 300 | 600-1000 | |
| RSBAQ(F)1000 122/38-500 | | | 500 | | |
| RSBAQ(F)1000 122/38-650 | | | 650 | | |
| RSBAQ(F)1000 160/55-500 | 160 | 55 | 500 | 1200-2000 | |
| RSBAQ(F)1000 160/55-650 | | | 650 | | |
| RSBAQ(F)1000 160/55-720 | | | 720 | | |
| RSBAQ(F)1000 200/65-500 | 200 | 65 | 500 | 2400-3200 | 2400 |
| RSBAQ(F)1000 200/65-720 | | | 720 | | |



Heat Shrinkable Tube



INTRODUCTION

1. Use low density crosslinked polyethylene material through extrusion, crosslinked irradiation, expansion, gluing and other processes;
2. Special polyethylene material with high strength mechanical properties;

FEATURES

1. Initial shrinkage temperature
2. Full shrinkage temperature
3. Operating temperature
4. UV resistant and soft
5. Environmental protection standard
6. Shrinkage ratio

APPLICATION

Mainly used for sealing and waterproof, anticorrosion, air leakage and insulation protection. Also mainly used in the scenarios that need to be sealed, such as wire connection of electronic equipment, automobile wiring, household appliance wiring, cable and cable branching, metal pipeline, cable repair, submersible pump wiring, etc.

PARAMETER TABLE

| Description | Inner Dia. (mm) | Size After Full Shrinkage (mm) | | | Standard Package |
|-------------|-----------------|--------------------------------|------------------------|----------------|------------------|
| | | Inner Dia. | Average Wall Thickness | Glue Thickness | |
| Φ12.7 | ≥12.7 | ≤4.2 | 1.55±0.40 | 0.75±0.20 | 1.22 |
| Φ15 | ≥15 | ≤5.2 | 1.65±0.40 | 0.75±0.20 | 1.22 |
| Φ19 | ≥19 | ≤6.3 | 1.90±0.40 | 0.85±0.20 | 1.22 |
| Φ25 | ≥25 | ≤7.5 | 2.00±0.40 | 0.90±0.20 | 1.22 |
| Φ30 | ≥30 | ≤8.0 | 2.05±0.40 | 0.90±0.20 | 1.22 |
| Φ33 | ≥33 | ≤8.0 | 2.05±0.40 | 0.90±0.20 | 1.22 |
| Φ45 | ≥45 | ≤12 | 2.5±0.40 | 0.90±0.20 | 1.22 |
| Φ65 | ≥65 | ≤15 | 2.5±0.40 | 0.90±0.20 | 1.22 |

MOLDING



EXPERIMENTAL CENTER

Japan Mitutoyo altimeter



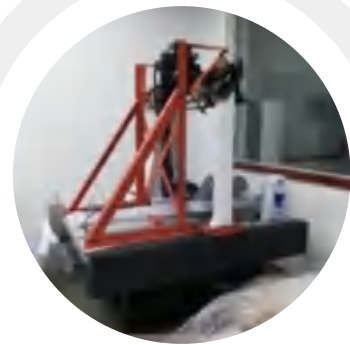
Image measuring instrument



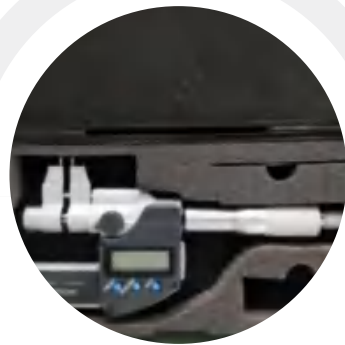
Micron outside micrometer



Edwards Three Coordinates



Inside micrometer



Inside diameter plug gauge



<<<
COOPERATION
WITH US

COOPERATION

Honesty, cooperation
and sharing honor

Brand strategy serves the whole world

COOPERATION
WITH US

LET'S WORK TOGETHER TO WIN THE FUTURE.

Tel:+86-28-83080722
E-mail:overseas@qhtele.com
Web:http://www.qhtele.com
Post code:610500

Address: No.666 Xingye Road, Xindu Town, XinduDistrict, Chengdu, Sichuan
Chengdu Qianhong Communication Co., Ltd.